



Patio Canopy

Assembly Instructions

- Polycarbonate glazing panels (in your chosen colour)
- Powdercoated aluminium canopy posts
- Rainwater system and fixing pack



Patio Canopy

Assembly Instructions

Last revision: 16/11/10

Please Note:

The Canopy Shop accept no responsibility for any injury or consequential damage caused by the use of unsuitable fixings or by the installation of the product that deviates in any way from that described herein. Patio Canopies are designed to withstand a loading of 0.65K N/m² which is suitable for most domestic applications. If you are installing the canopy in an exposed location please call the helpline before you commence.

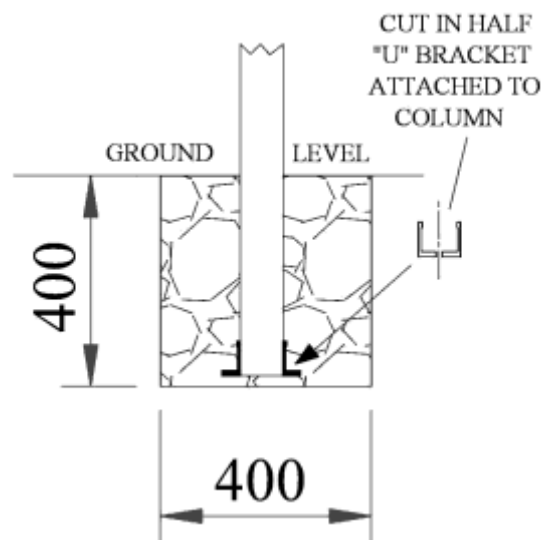
Before proceeding with the assembly please ensure that the following conditions have been met:

- The wall is of solid construction – no flaking mortar or loose bricks (check with a registered builder if unsure).
- You have the correct fixings for the type of wall that you are installing the canopy onto. (Please note, no wall fixings are included)
- Check that you have sufficient space for the installation.
- Due to the weight of the product and the nature of installation TWO people with appropriate step ladders / scaffolding are required to install the Canopy.

Column Arrangement

All patio canopies are supplied with 2.5m length columns as standard. We would recommend that the columns are fixed within a concrete block to a height of approximately 400mm. This will leave an above ground height of 2.1m. The “U” shaped bracket (included) can be sawn in half and attached to the outside of the column for extra adhesion.

If a suitable concrete base is already present then the column can be attached to the existing base using the “U” brackets provided (see diagram page 4). If securing to an existing base, the front height of the canopy will change and the height of the Wall Plate (as shown on the table on Page 5) should be altered accordingly. Alternatively the columns can be cut to the required length using a hacksaw.

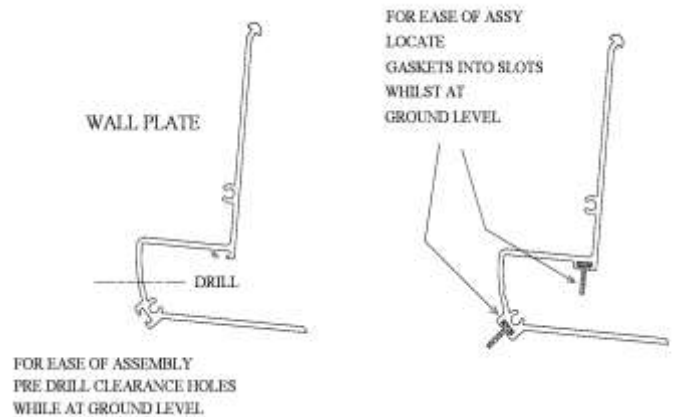


Wall Plate

1. With the Wall Plate on the ground, drill holes 50mm in from each end and at approximately 450mm centres along the length of the wall plate. Remove any debris and sharp edges.

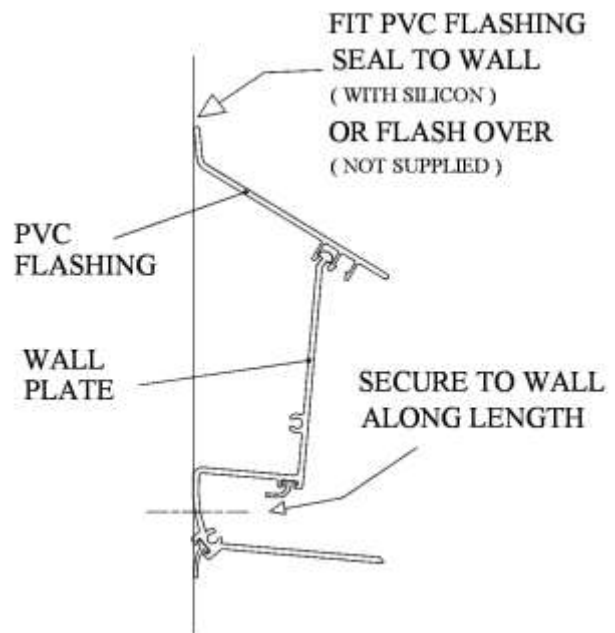
Fit the Rubber Gaskets (see drawing).

Use soapy water to aid rubber slide along recess in profile if required.

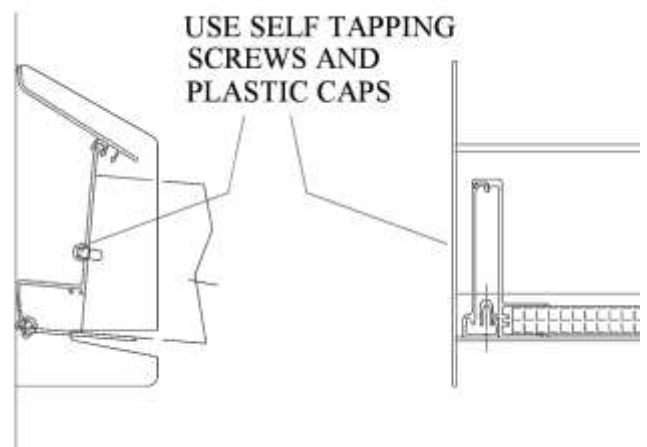


2. Secure the assembled Wall Plate to the wall using appropriate fixings (no wall fixings are supplied)

***Ensure the wall plate is horizontal using a spirit level ***



3. Fit wall plate end caps.

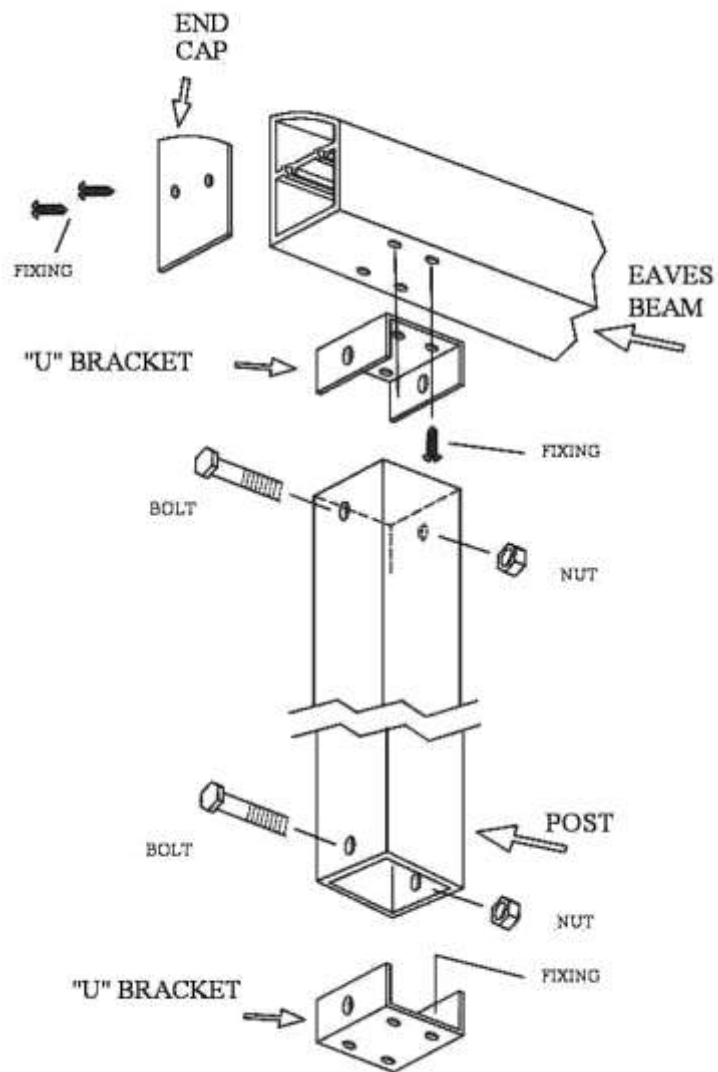


Front Support Frame Assembly

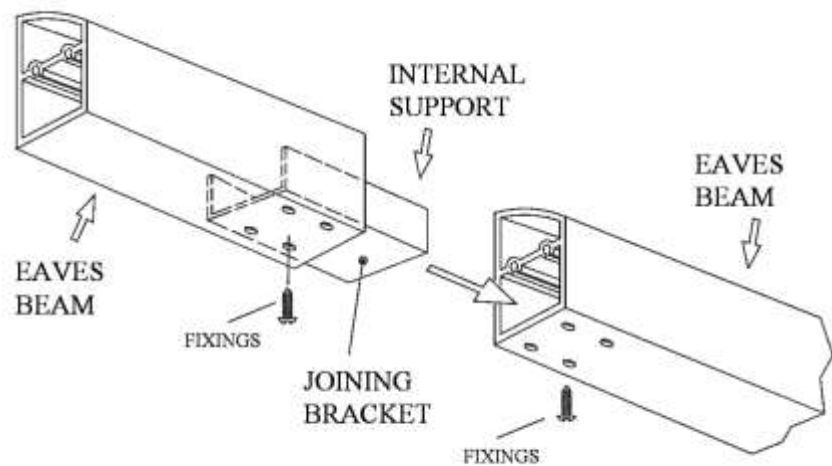
Assemble the front support frame and legs as indicated.

The columns are connected to the Eaves Beams using the "U" Shaped bracket. There are further brackets included for use when attaching to a concrete floor.

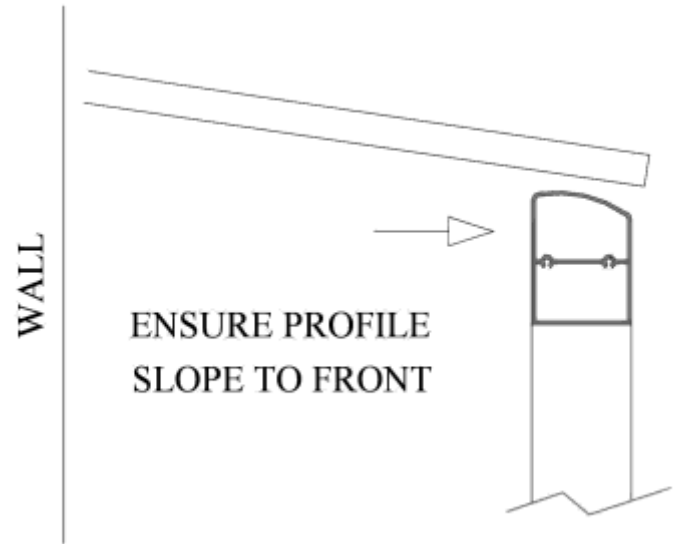
The brackets for use on the bottom of the column are pre-drilled while the ones for the upper end of the column will need to be drilled.



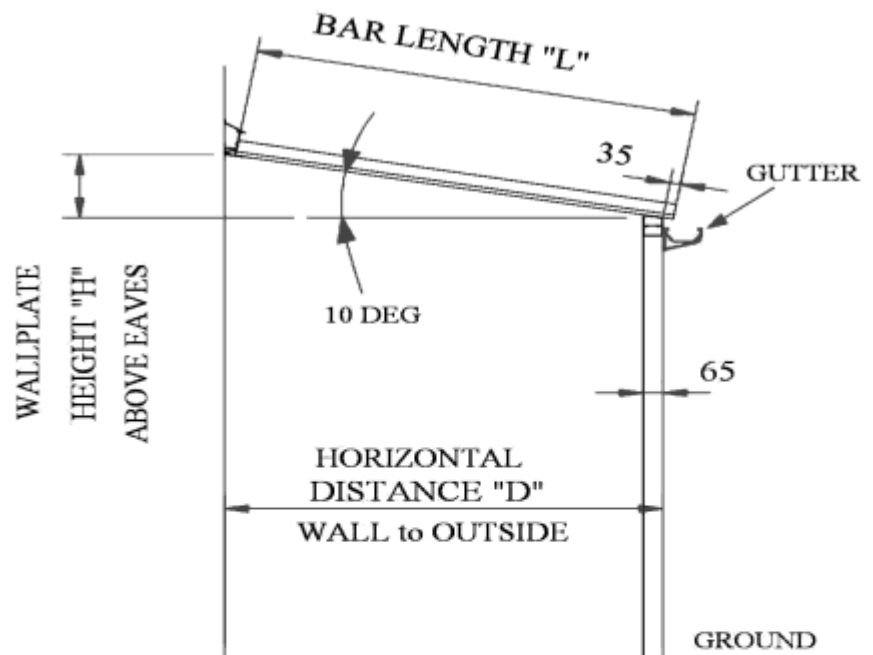
On longer lengths Eaves Beams will have to be joined, see diagram right.



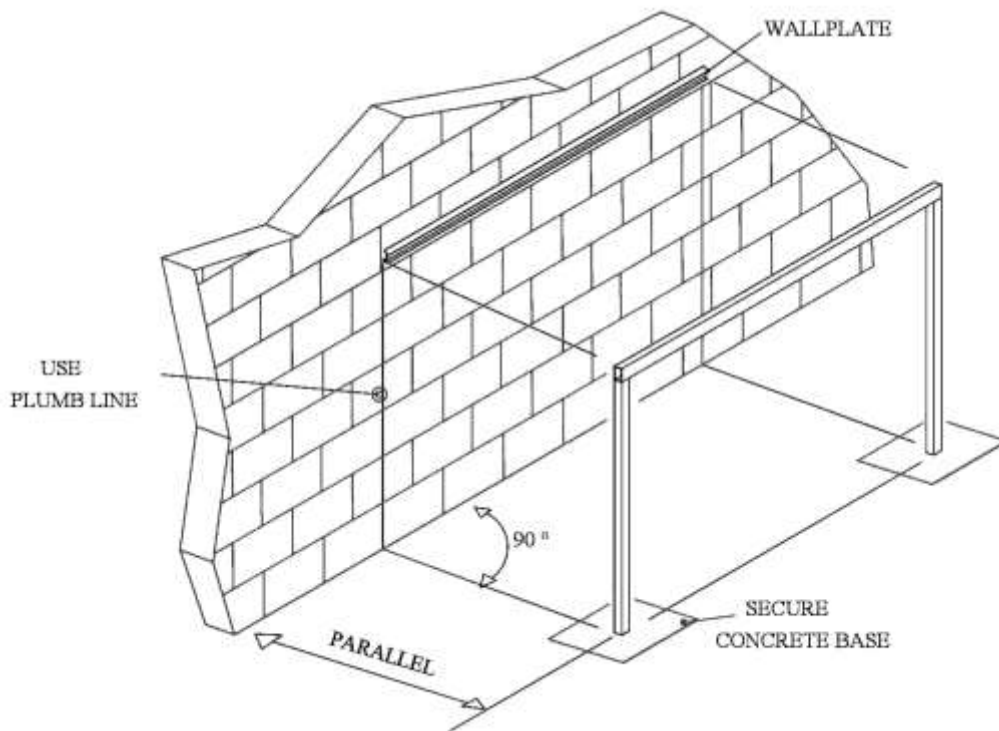
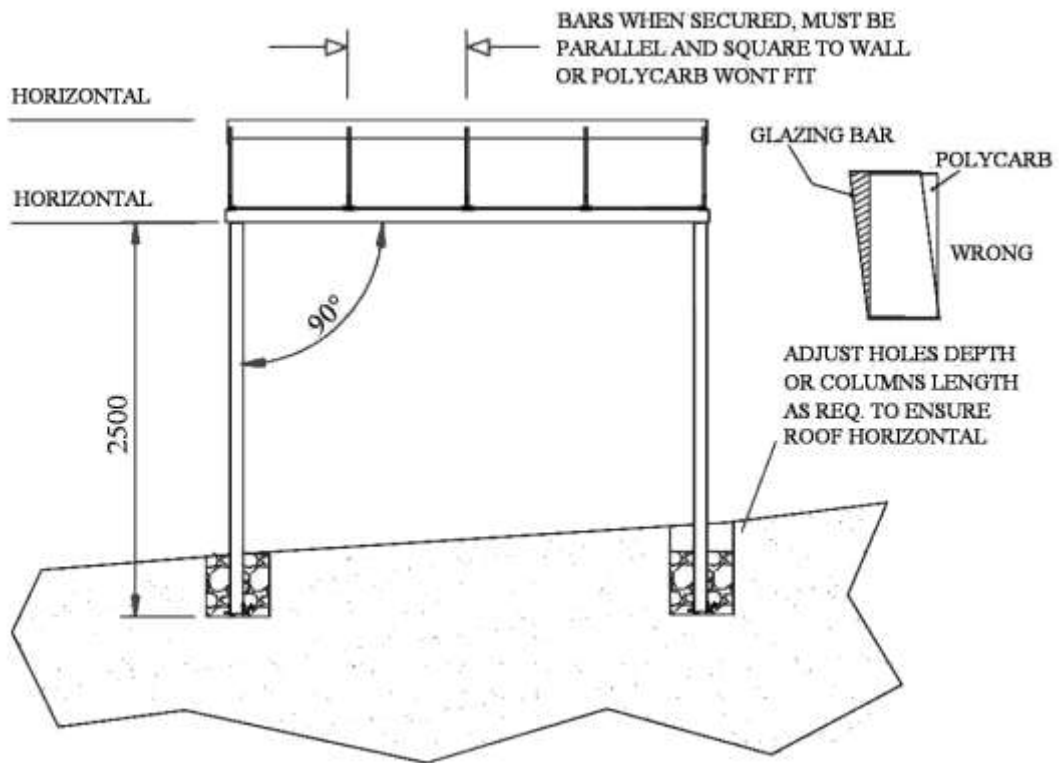
Please ensure the Eaves Beam is installed with the slope away from the wall. (See diagram)



Sizes based on recommended support column length of 2100mm above ground.



BAR LENGTH "L"	HORIZONTAL "D"	WALL PLATE "H"
1475mm	1454mm	243mm
2475mm	2439mm	415mm
2975mm	2932mm	501mm
3475mm	3425mm	587mm
3975mm	3917mm	673mm



ASSEMBLING THE ROOF

Lay out all panels on the floor to ensure size of canopy is correct. During transit the panels can become dislodged or moved, please ensure each panel is square before locating on roof. The polycarbonate should protrude by approximately 25mm from the top edge of the panel (this is for pushing into the wall plate).

The Panel Fixing Packs provided contain self-tapping screws to secure the panels. Plastic screw caps are provided for use where screw heads are visible.

The canopy is glazed from Left to right and the Left Hand End Closure needs to be fitted first.



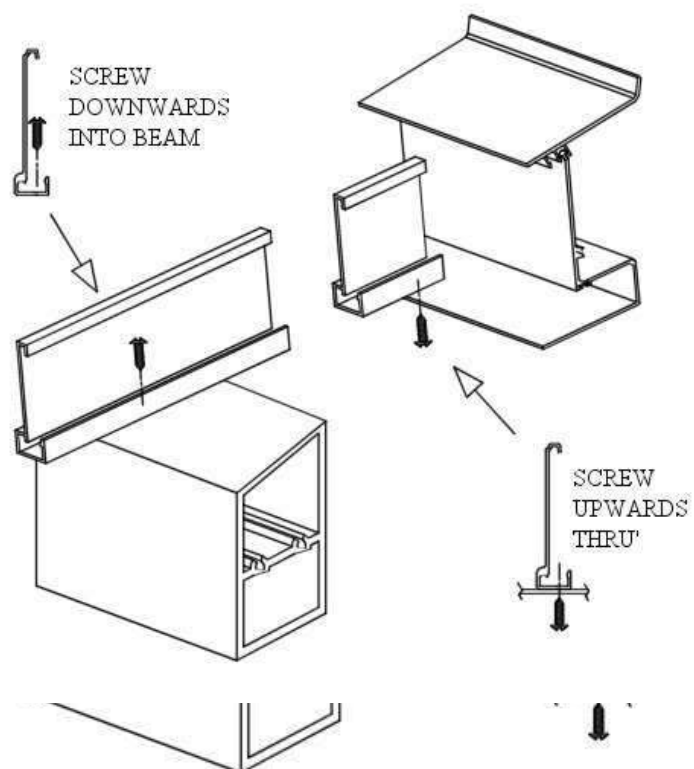
DRILL

LH END CLOSURE

Left Hand End Closure

Position the Left Hand end Closure within the Wall Plate end cap with the closure sitting on the horizontal part of the wall plate and butting up to the vertical face. The bottom end of the closure should overhang the front of the Eaves Beam as shown in the diagram

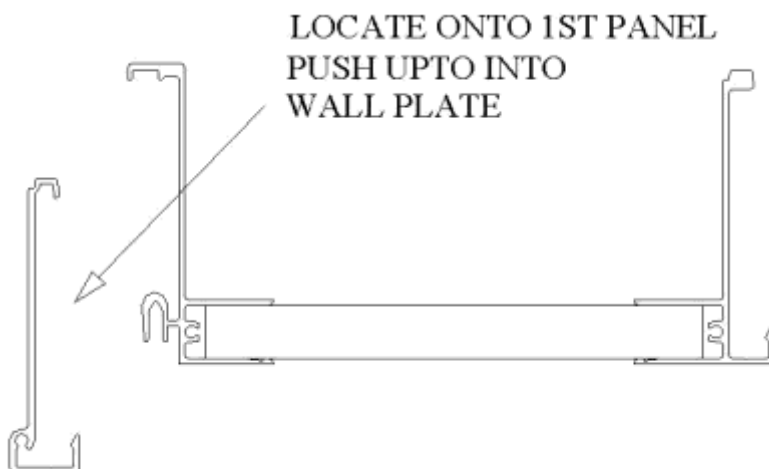
Ensure the closure is square to the wall and secure with self tapping screws as shown in the diagram left.



Panel Assembly

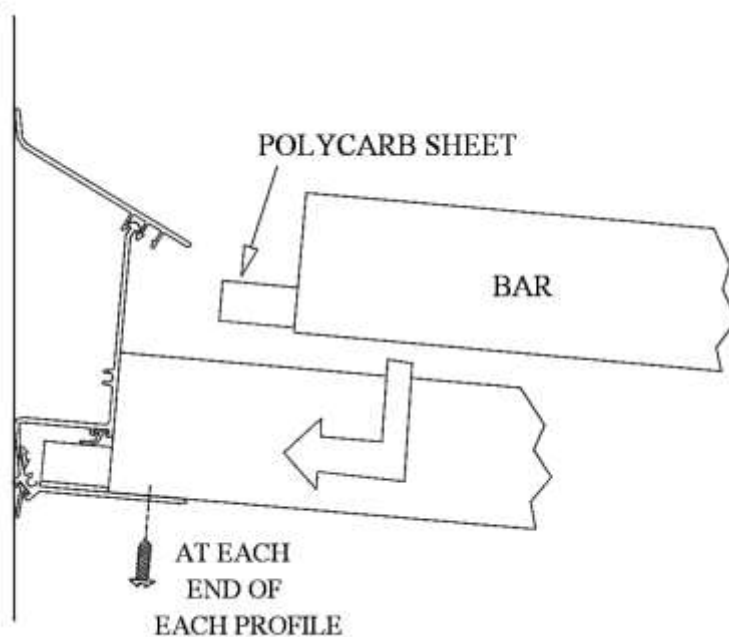
For convenience the Right Hand panel rafters should be drilled while on the floor: 100mm in from each end and at approximately 400mm centres.

Lift on pre-assembled panel on to the roof and locate onto the previously fixed Left Hand End Closure.



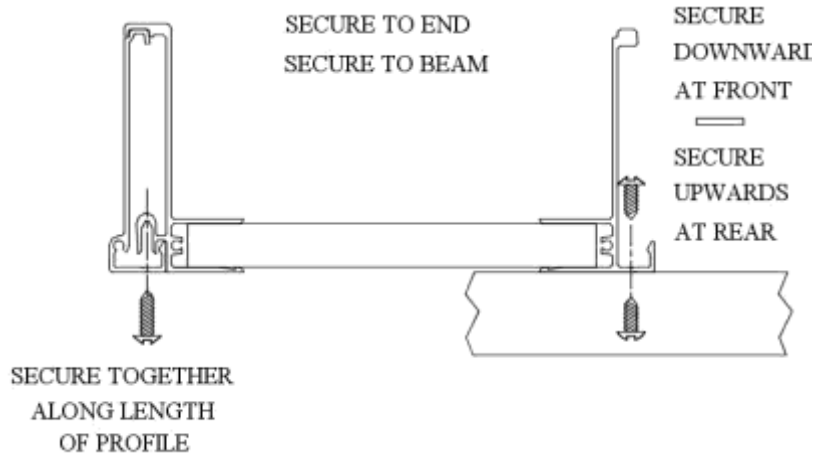
Each glazing panel has a polycarbonate protrusion of approximately 25mm this needs to be fed into the wall plate to provide a watertight seal.

Ensure the panel is pushed fully into the wall plate, the front edge should be square with the wall plate and level with the previously fixed part.



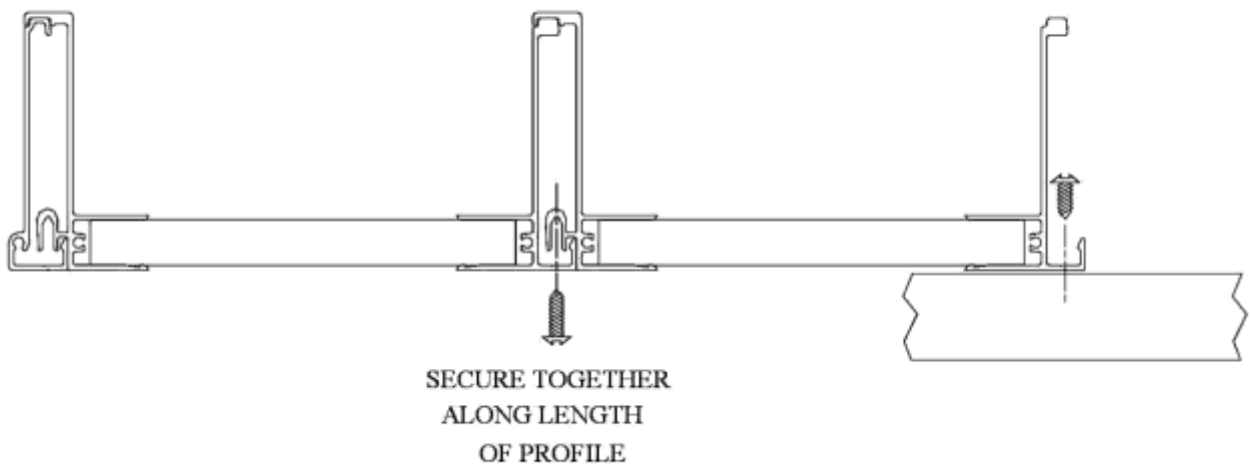
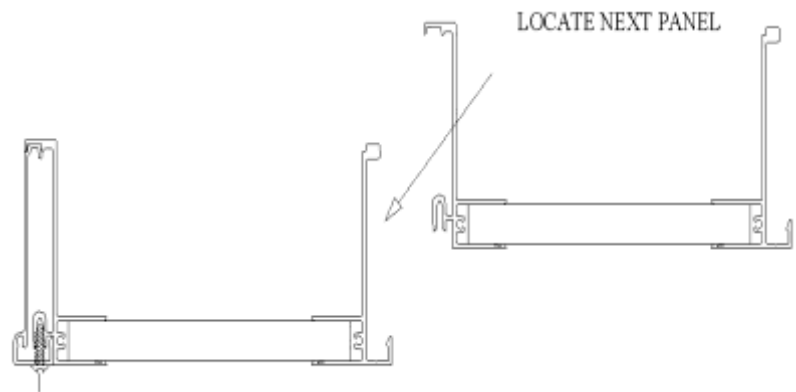
Secure the panel along its length to the Left Hand End Closure. At each end secure to wall plate and support frame, fixing upwards into the wall plate and downwards into the eaves beam.

Secure the right hand side of the panel downwards into the Eaves Beam and upwards into the Wall Plate as shown in the diagram.



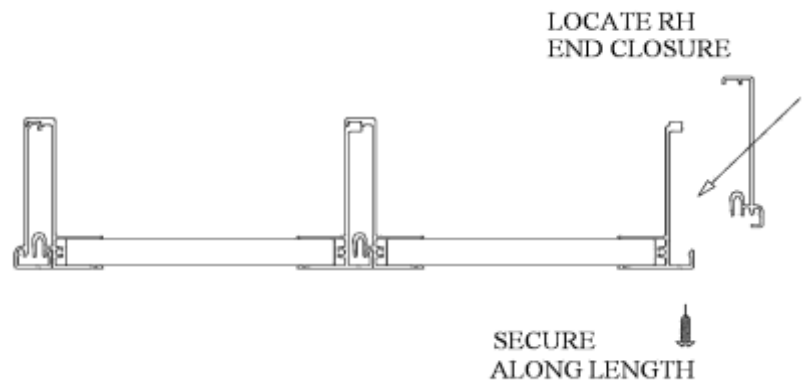
Lift a further pre-assembled panel on to the roof and locate onto the previously fixed Aluminium profile. Secure as above using fixings supplied.

Repeat with remaining panels.



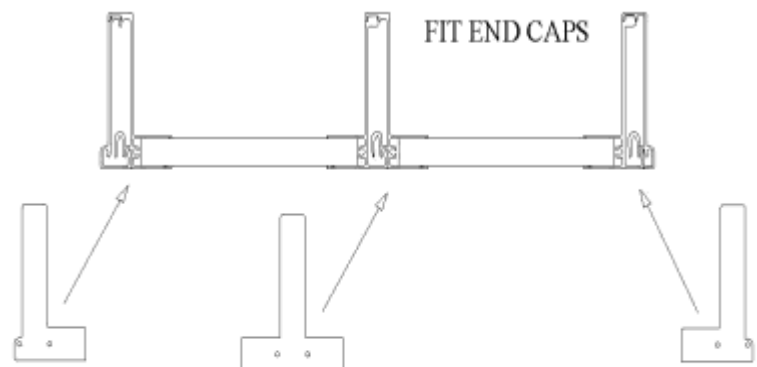
Right Hand End Closure

At right hand end attach Right Hand End Closure to complete the roof. Secure from underneath through previously drilled holes on last panel.



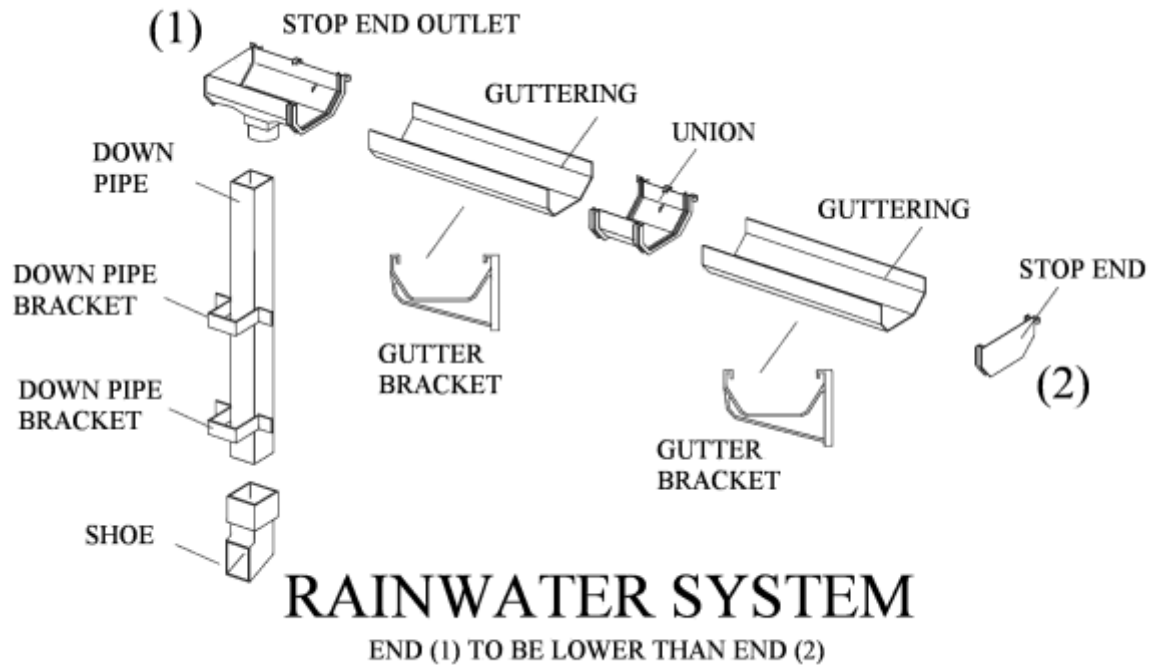
End Caps

You can now fix the Rafter End Caps using the screws and caps provided.



Installing the Rainwater System

Please Note:- A slight fall is required along the front gutter. This is to ensure that the water flows along the gutter and into the down-pipe.



As a general guide the minimum fall for the gutter is 1:600 which equates to a fall of 10mm in a 6m length.

It is recommended that the Gutter Brackets are spaced no greater than 900mm apart.

The Stop End Outlet should be aligned with the column the down pipe is going to be attached to.

Fix a Gutter Bracket 100mm from Stop End position and then fix a further Gutter Bracket 100mm from the Stop End Outlet position.

To create the fall as recommended above tie a string line securely to both brackets, now space your remaining brackets evenly and up to the string line. (Over a long distance you may need to support the line to prevent any sagging which may lead to pooling in the low points along the gutter.)

Before clipping the gutter into place lubricate all seals using a silicone spray or washing up liquid, this will make fitting the clips easier.

Fix the down pipe and shoe using the clips provided.

the
canopyshop

www.thecanopyshop.co.uk