

Harlington 3600 Garden Gazebo

Approx. Dim.

360L x 360W x 295H cm / 141.7"L x 141.7"W x 116.1"H



Wind Resistant

90 km/hr
55 ml/hr



Snow Load

100 kg/m²
20 lbs/ft²



the
canopyshop

T: 0345 241 7182

E: sales@thecanopyshop.co.uk

W: www.thecanopyshop.co.uk



Harlington 3600 Garden Gazebo

Approx. Dim.

360L x 360W x 295H cm / 141.7"L x 141.7"W x 116.1"H



Wind Resistant

90 km/hr
55 ml/hr



Snow Load

100 kg/m²
20 lbs/ft²



the
canopyshop

T: 0345 241 7182

E: sales@thecanopyshop.co.uk

W: www.thecanopyshop.co.uk



IMPORTANT

Please read these instructions carefully before you start to assemble this product. Please carry out the steps in the order set out in these instructions. Keep these instructions in a safe place for future reference.

» Care and Safety Advice

- Please follow the instructions as listed in this manual.
- Sort the parts and check against the contents list.
- For safety purposes we strongly recommend the product to be assembled by at least two people.
- Some parts have metal edges. Please be careful when handling components. Always wear gloves, shoes and safety goggles during assembly.
- Do not attempt to assemble the Gazebo in windy or wet conditions.
- Dispose of all plastic bags safely – keep them away from children's reach.
- Keep children away from the assembly area.
- Do not attempt to assemble the Gazebo if you are tired, have taken drugs, medications or alcohol, or if you are prone to dizzy spells.
- When using a stepladder or power tools, make sure that you are following the manufacturer's safety advice.
- Do not climb or stand on the roof.
- Heavy articles should not be leaned against the poles.
- Keep roof and gutters clear of snow, dirt & leaves.
- Heavy snow load on roof can damage the Gazebo making it unsafe to stand below or nearby.
- This product was designed to be used mainly as a Gazebo.

If color was scratched during assembly it can be fixed with the following tints:
Grey – RAL 7012

» Cleaning instructions

In order to clean the Gazebo, use a mild detergent solution and rinse with cold clean water.

Do not use acetone, abrasive cleaners, or other special detergents to clean the panels.

» Tools & Equipment

T001 (Supplied)

⚠ Attention

- Please note you install the panels with the UV protected side out (marked with "THIS SIDE OUT") and peel the film strip covering the panels.
- Screws and plugs are not supplied.
- Please tighten all screws when completing assembly.
- Anchoring this product to the ground is essential to its stability and rigidity. It is required to complete this stage in order for your warranty to be valid.

» During Assembly

During assembly use a soft surface below the parts to avoid scratches and damages.



When encountering the information icon, please refer to the relevant assembly step for additional comments and assistance.

Step 6c:

- Carefully spread silicone glue along the cross-section of the profile and at once attach the profiles together. Recommended to wipe the extra residue silicone.

Steps 7-12:

- It is recommended to use a carton or other soft material under the lowered corner in order to avoid scratches and peeling of paint.

Step 11:

- Optional - if you wish to add Palram's curtains/netting - Please thread 16 of the plastic clips through the rail in each of the four profiles in order to hang the curtains/netting (not supplied).

Steps 12+14: Drawing a

- Please note that threading of the screws should be done from the outside

Steps 13+15:

- Please note that threading of the screws should be made from the bottom up.

Step 16b:

- Please add silicone on the inner area of part # 8327 as illustrated

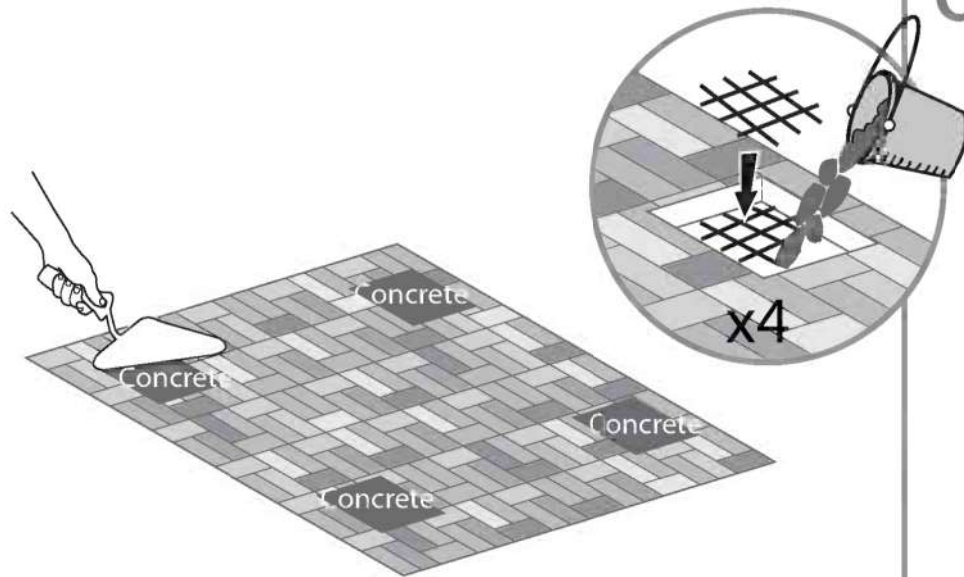
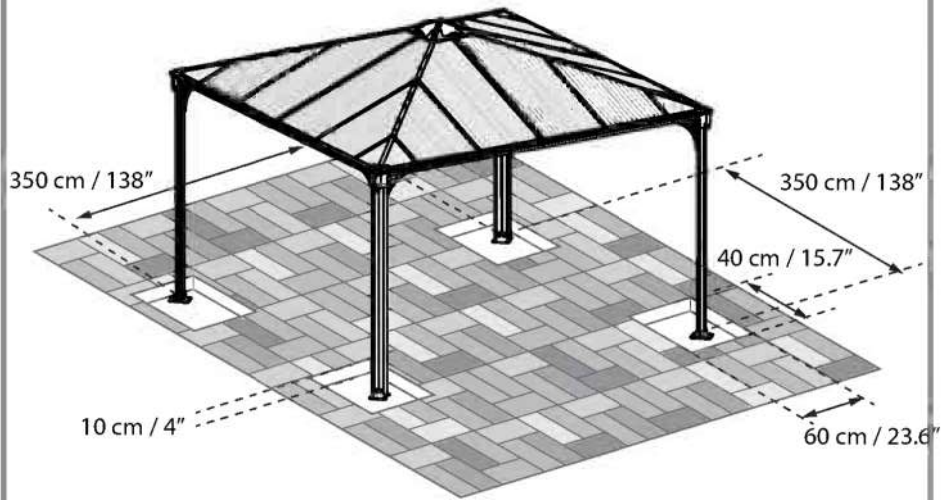
Step 23a:

- Please drill holes in the panels to be located precisely parallel to the holes in profiles #7744 + #7743

Step 24:

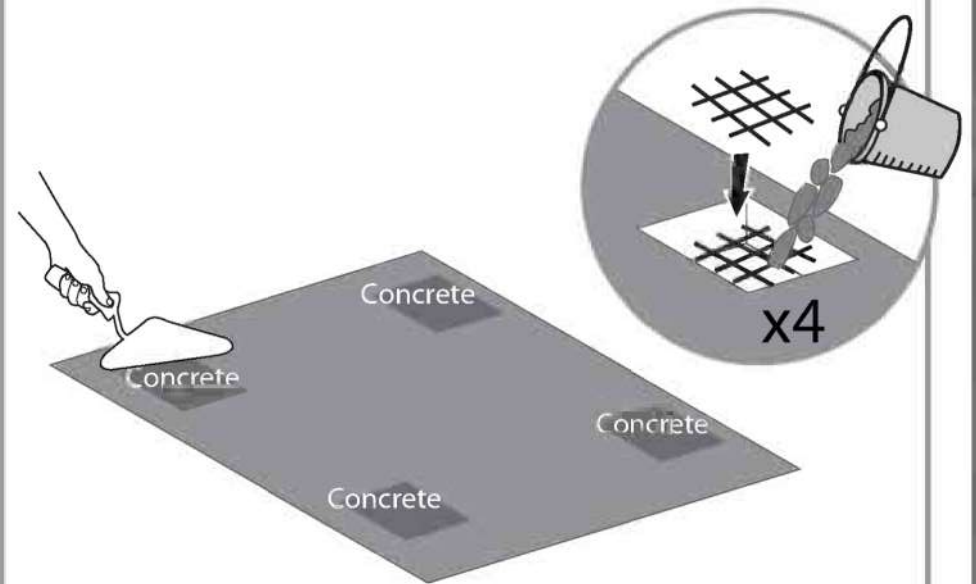
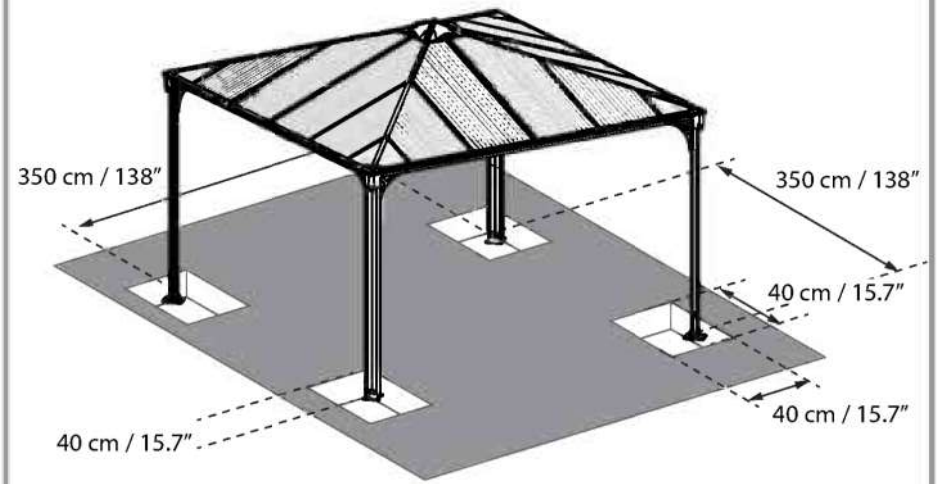
- Please level the profiles' legs and adapt screws and plugs to your specific ground type.

Pavement Stone





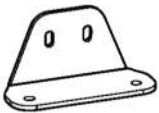

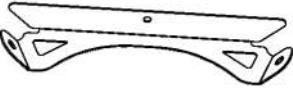
OR





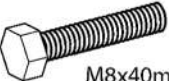
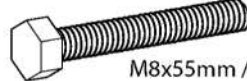

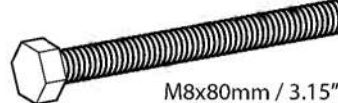
Asphalt / Soil




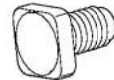











Contents


Item		Qty.
8331		1
8327		4

212		8
7674		1
7671		4

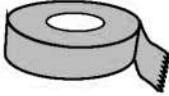
Item		Qty.
4000		16 (+1)
4010		16 (+1)
5000		96 (+6)
5001		16 (+2)
7680	 M8x40mm / 1.5"	17 (+1)
7119	 M8x55mm / 2.1"	16 (+1)
7679	 M8x70mm / 2.7"	8 (+1)
7567	 M8x80mm / 3.15"	8 (+1)

T001		1
------	--	---

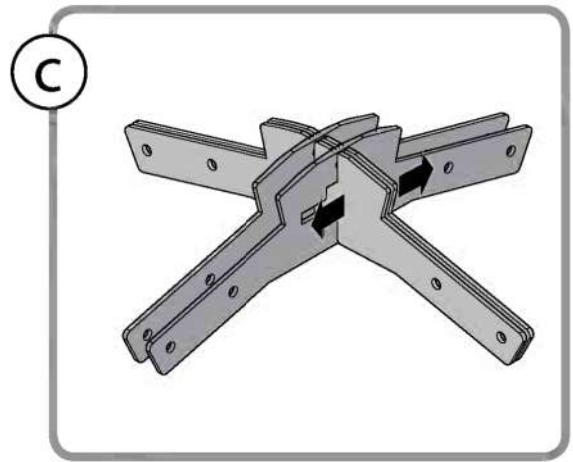
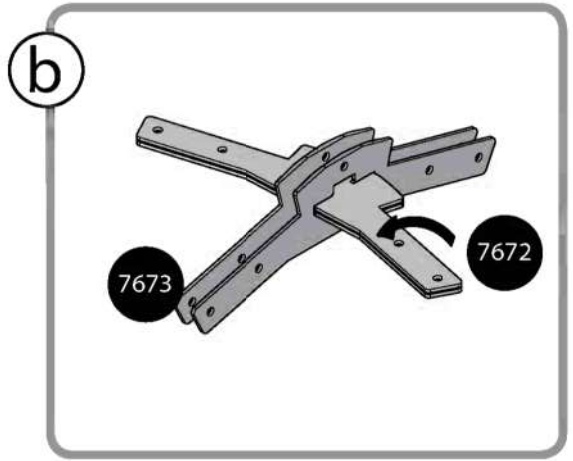
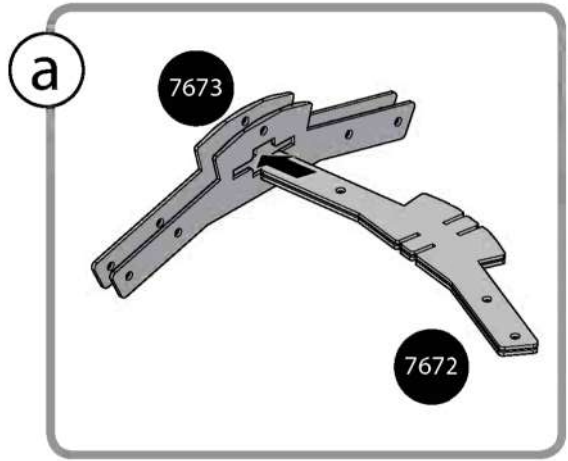
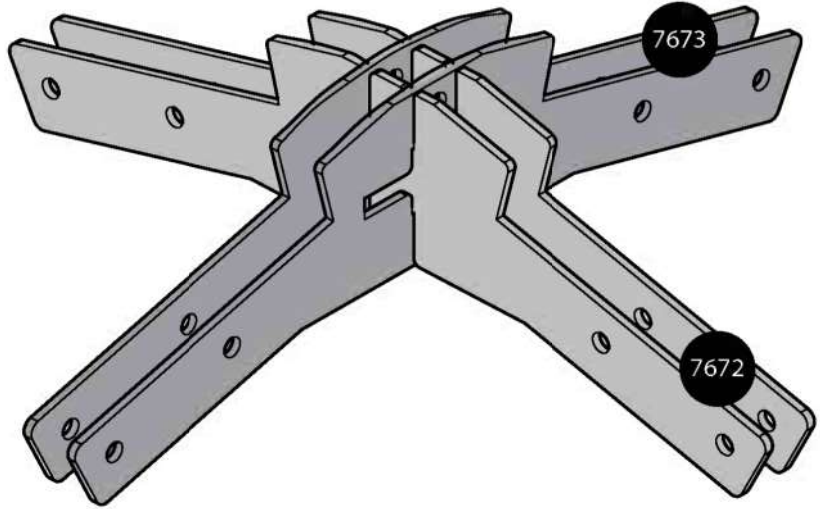
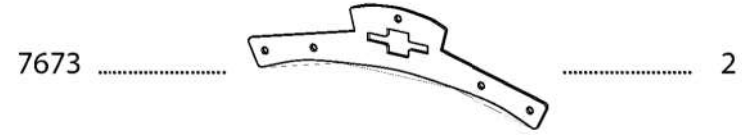
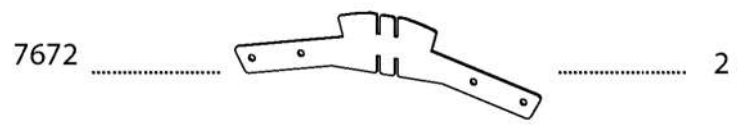
Item		Qty.
8192		16 (+2)
466		17 (+3)
421		40 (+3)
7682		1
447		16 (+2)
433		10 (+1)
426		102 (+4)
4024		1
427		40 (+3)
7024		40 (+3)
413		1
7121		49 (+3)

Item		Qty.
7829		70



8293		1
------	---	---

1



2

7682 1



1

466 1



1

426 1



1

7680 1



1

7121 1



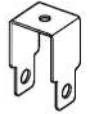
1

433 2



2

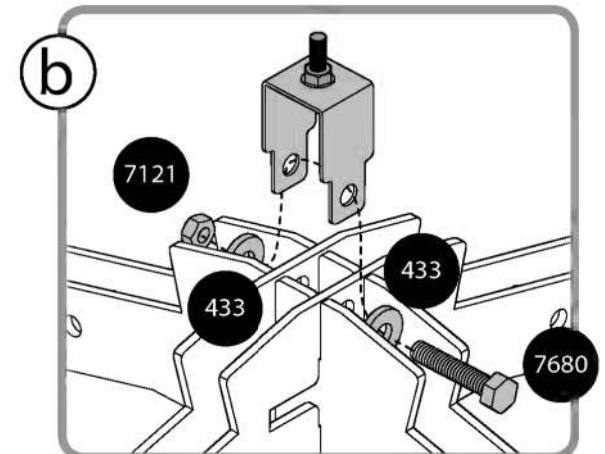
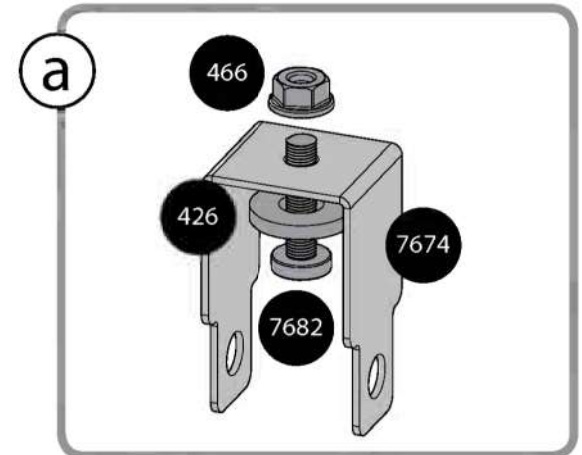
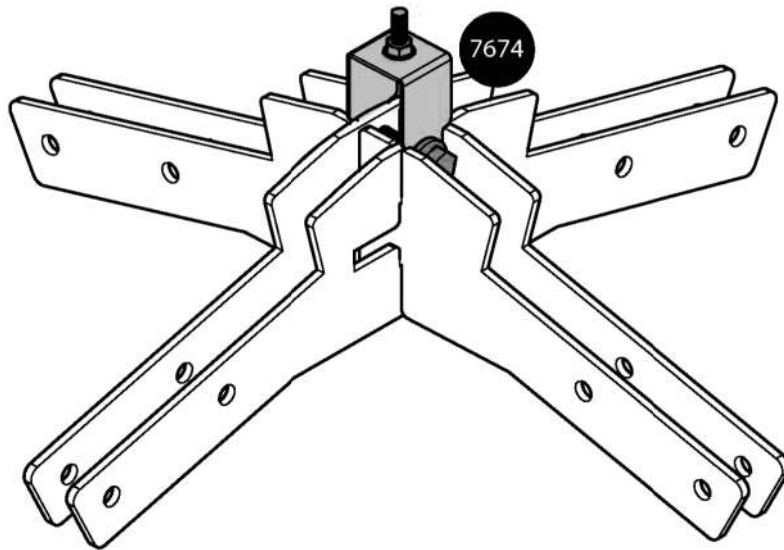
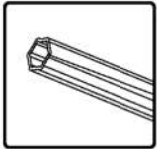
7674 1



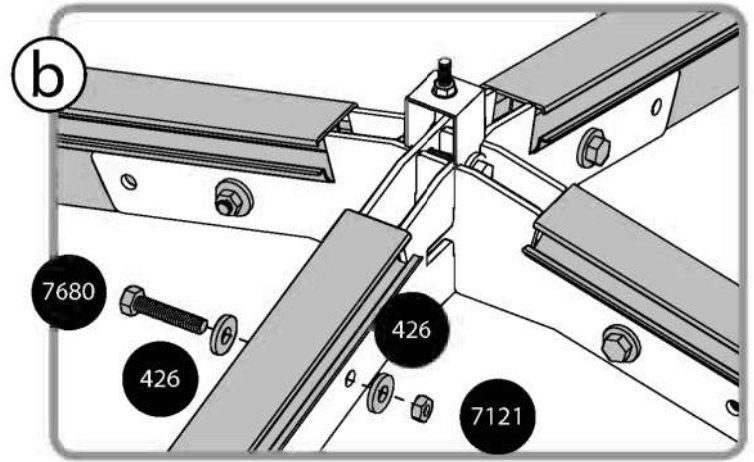
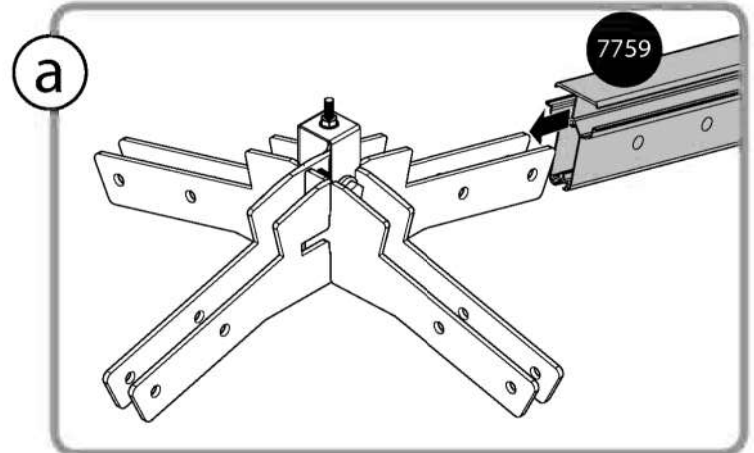
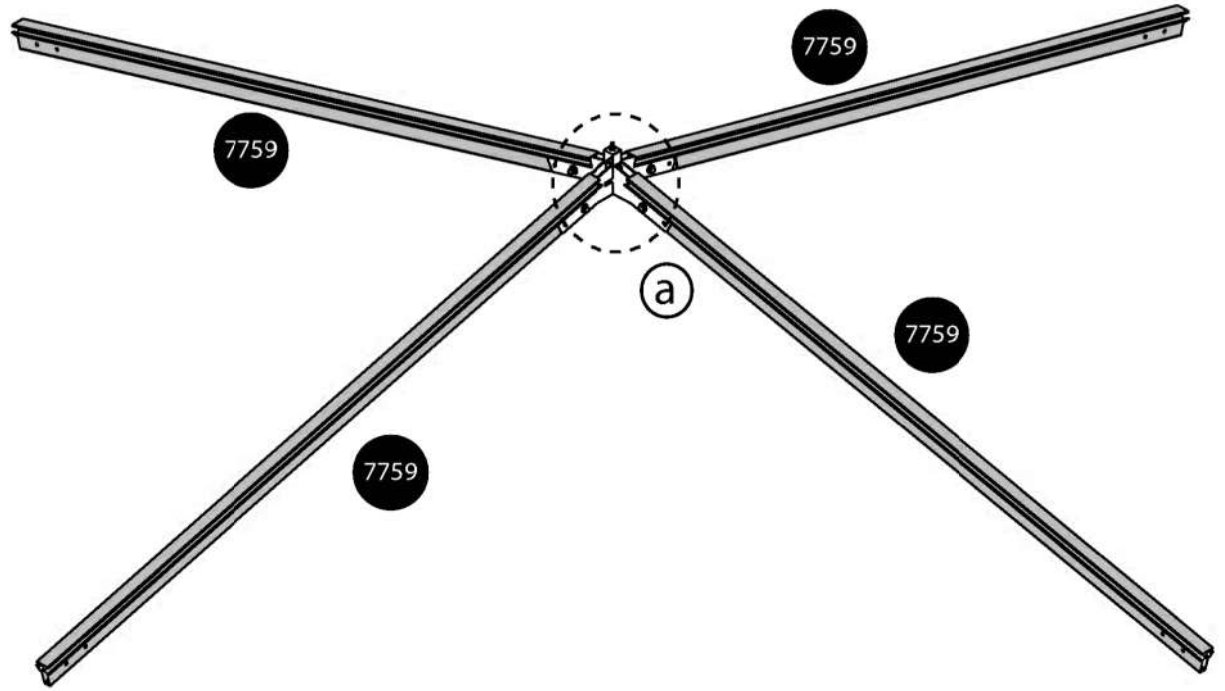
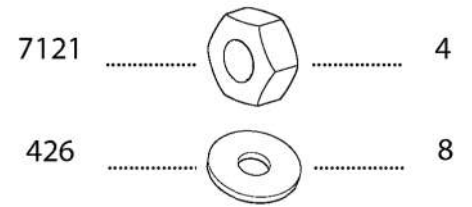
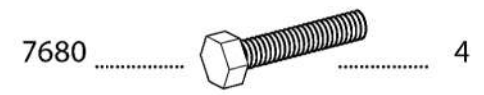
1



13mm



3



7680 4



433 8



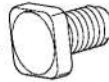
466 4



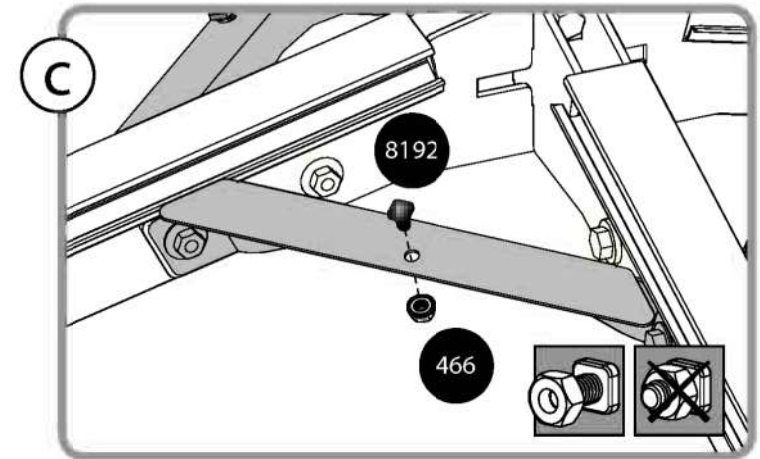
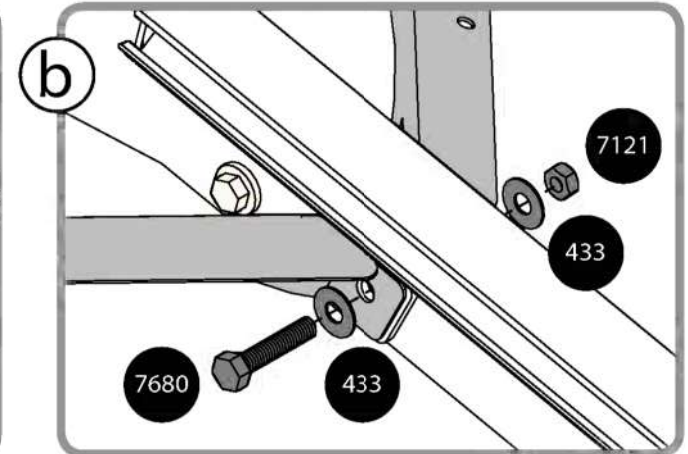
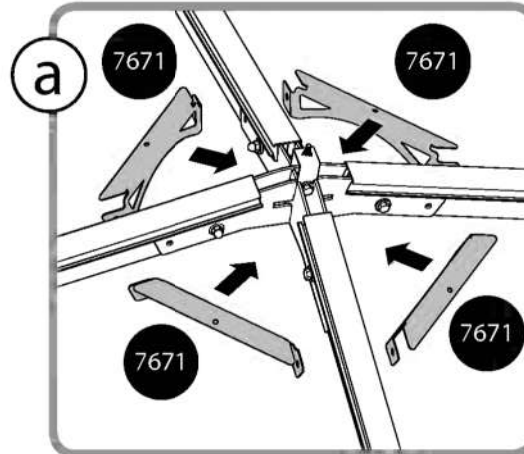
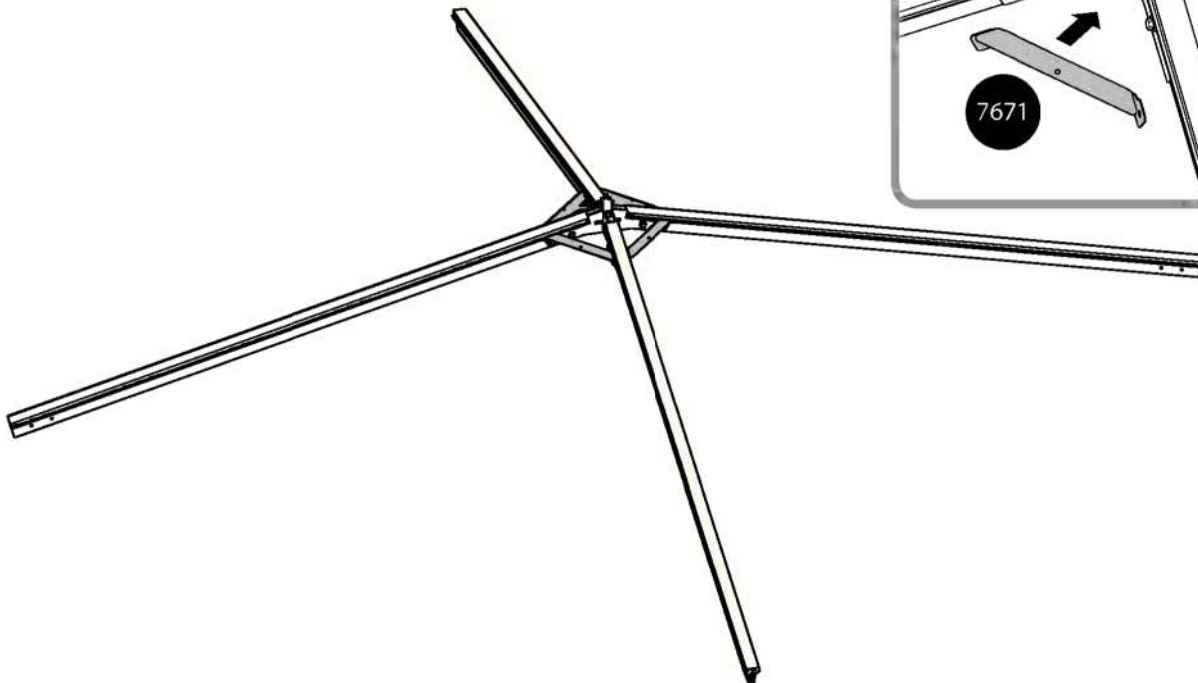
7121 4



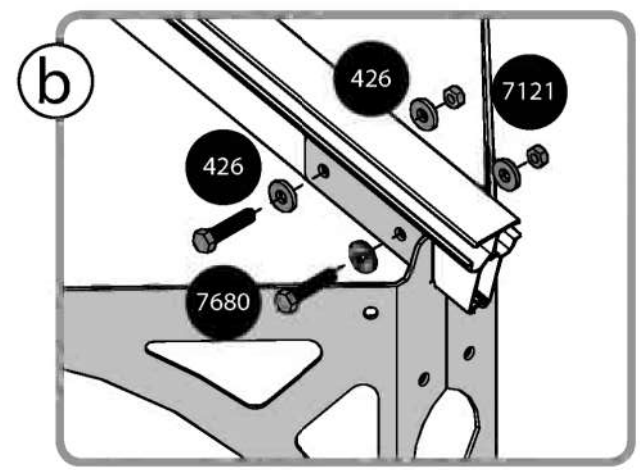
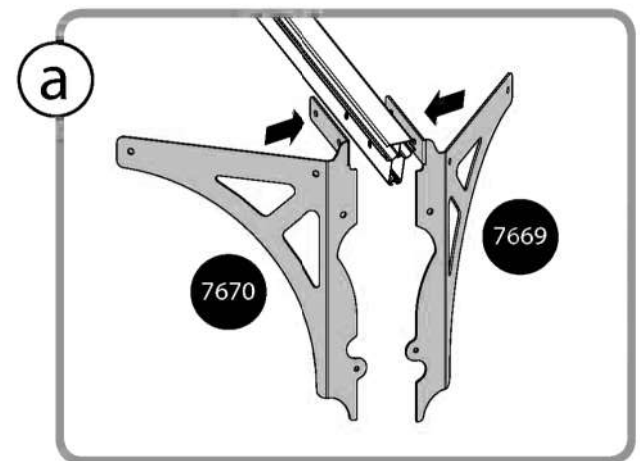
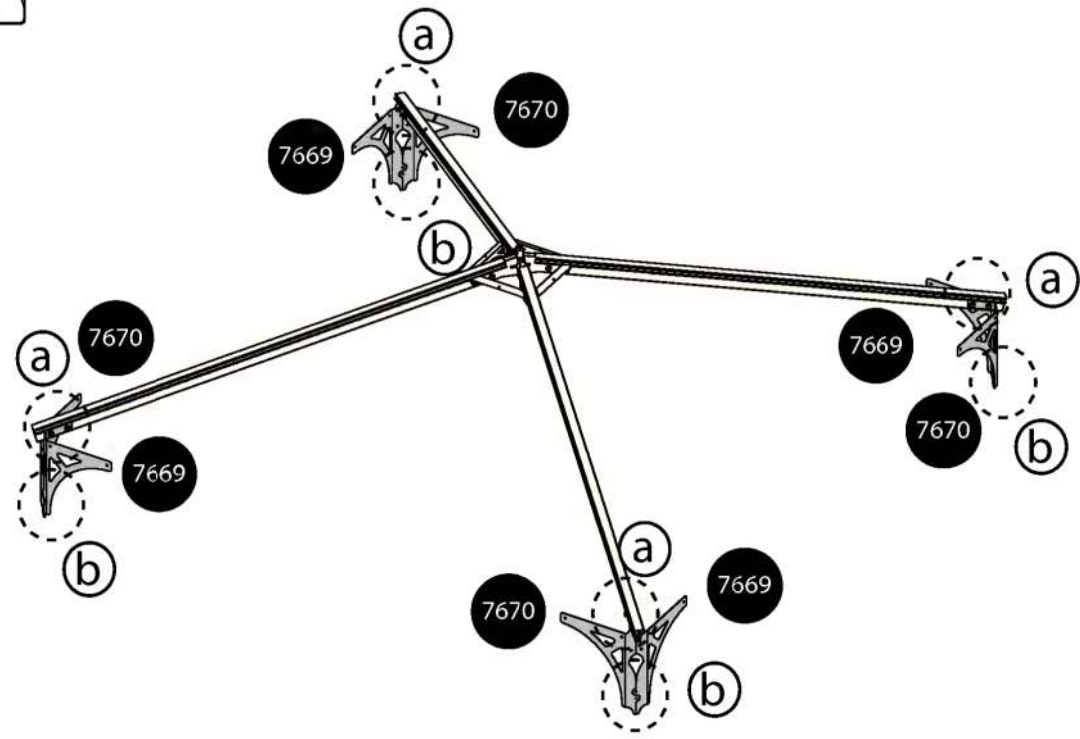
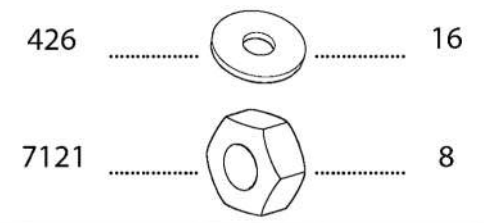
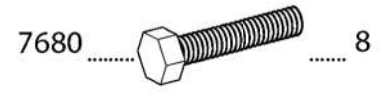
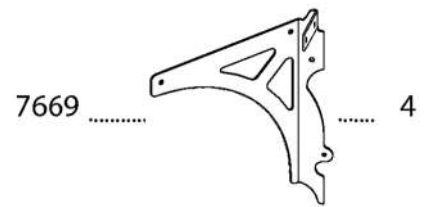
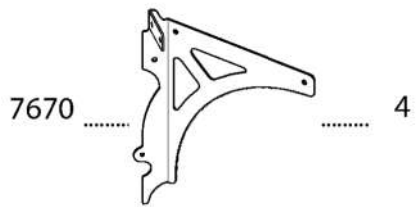
8192 4



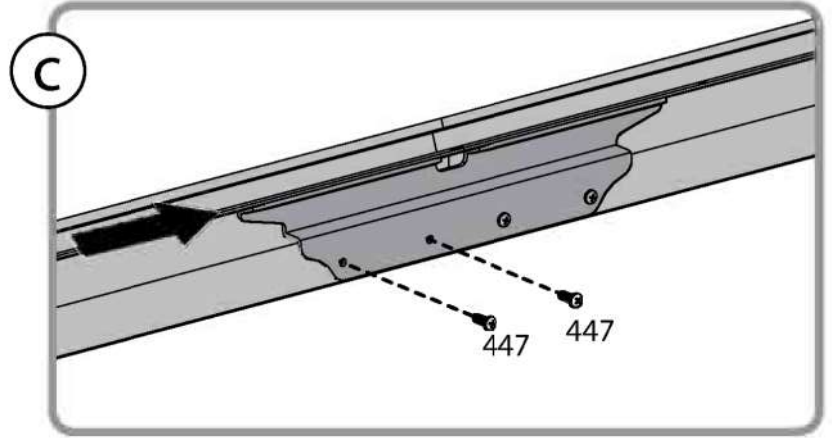
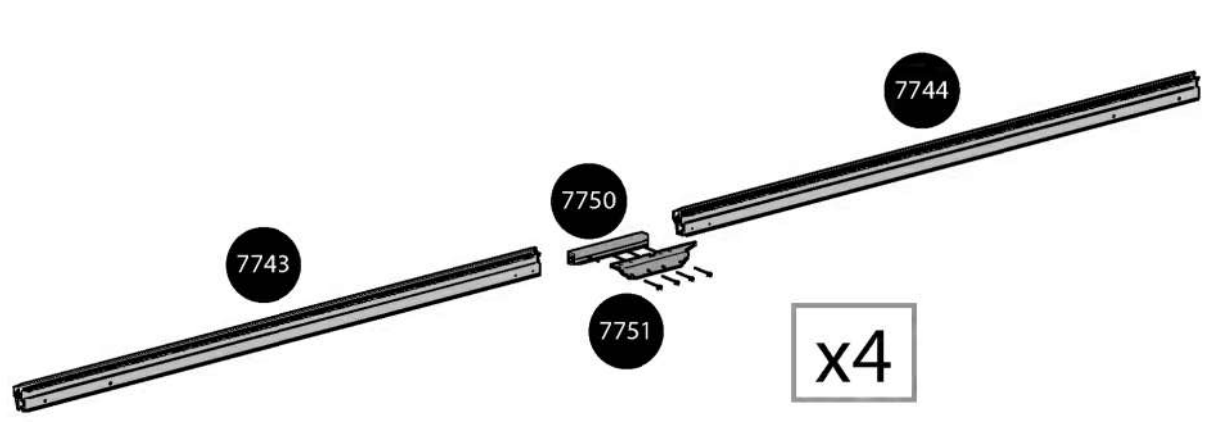
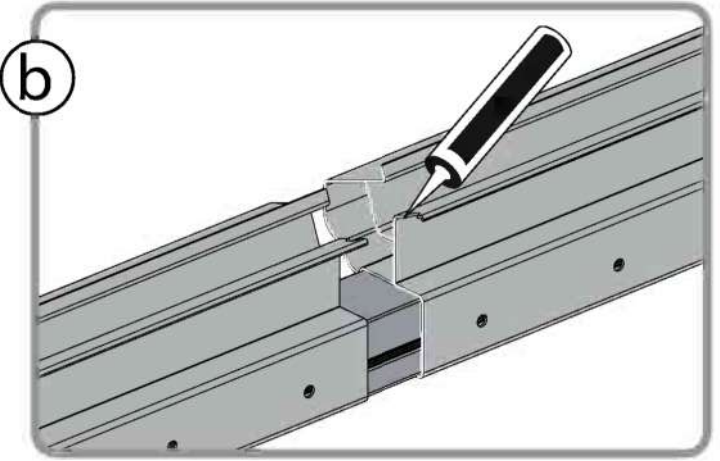
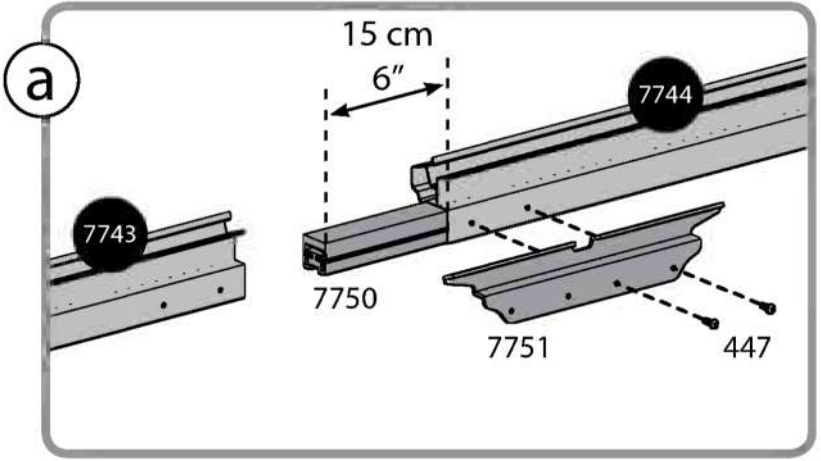
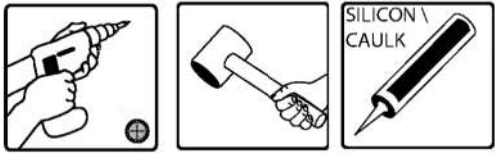
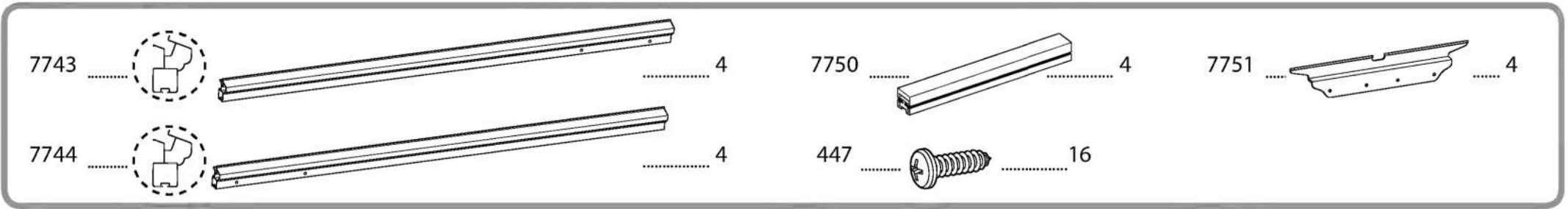
7671 4



5



6 

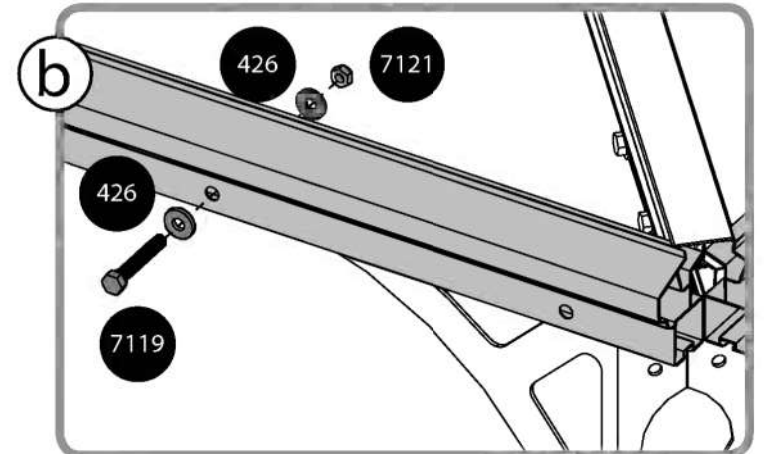
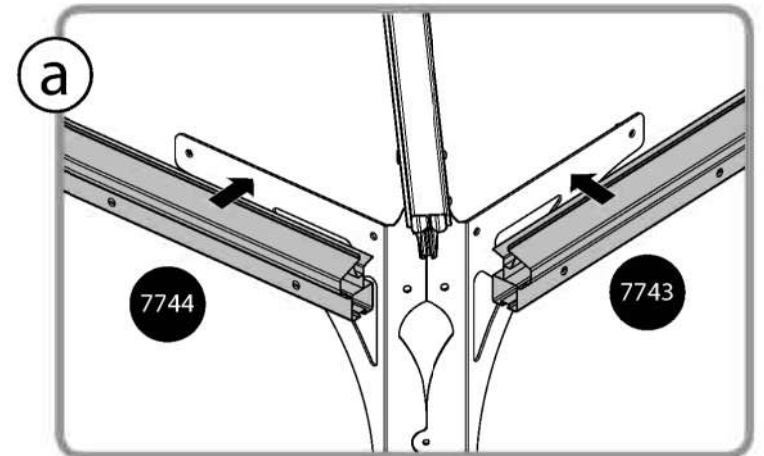
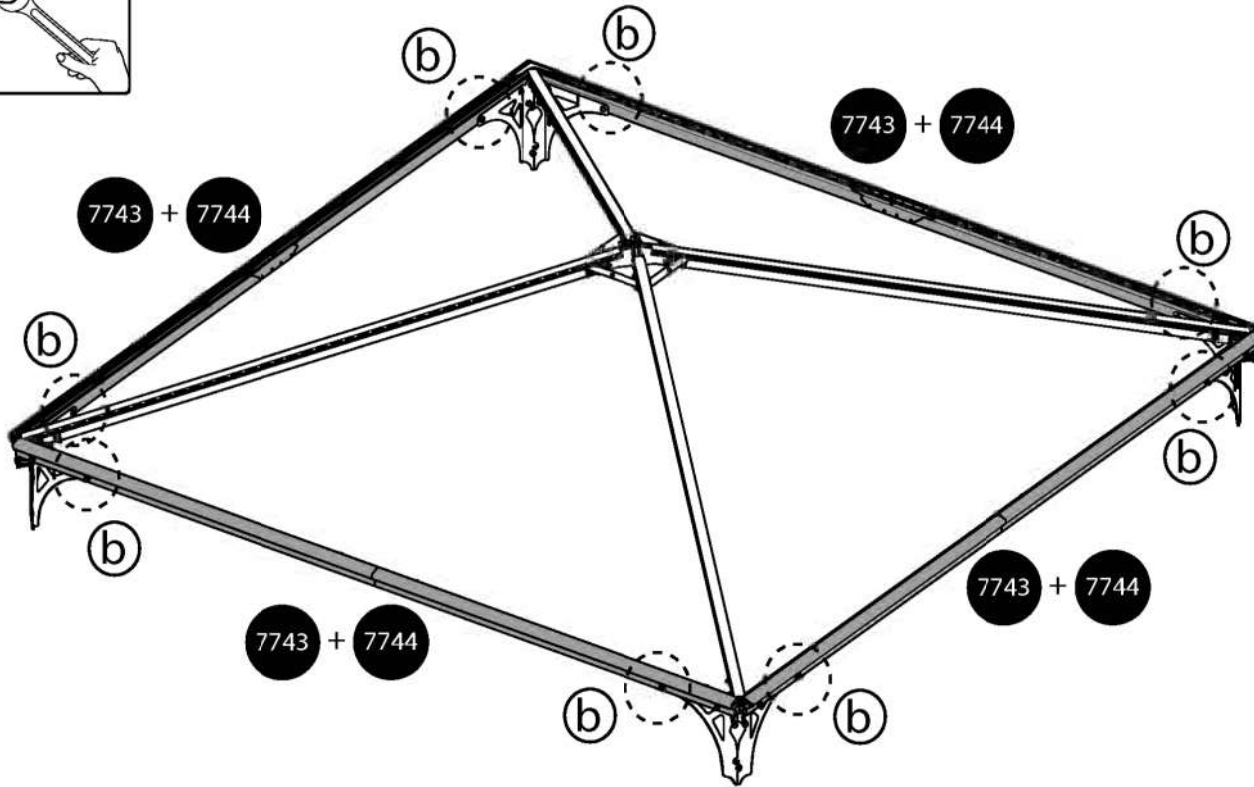


7 **i**


7119  8


7121  8

426  16

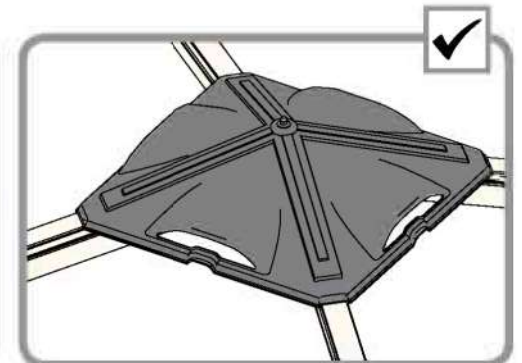
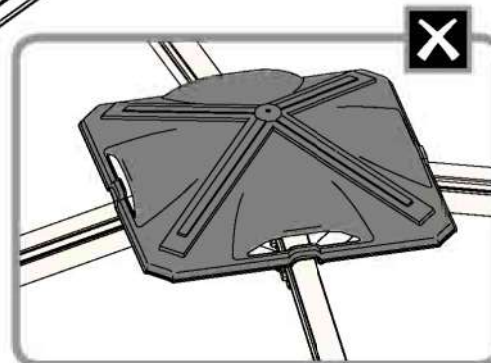
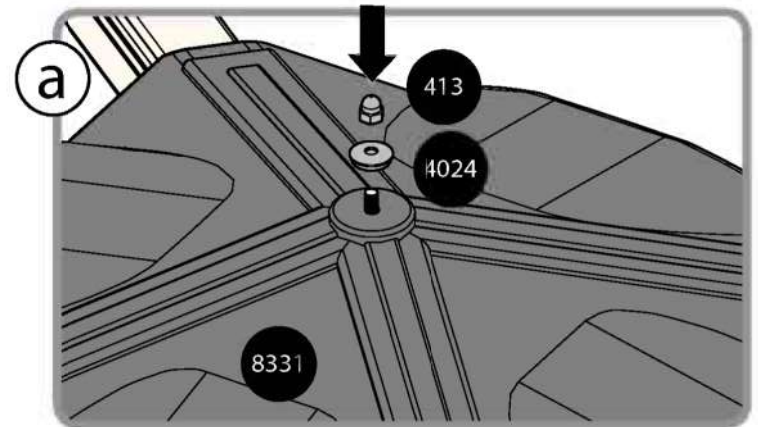
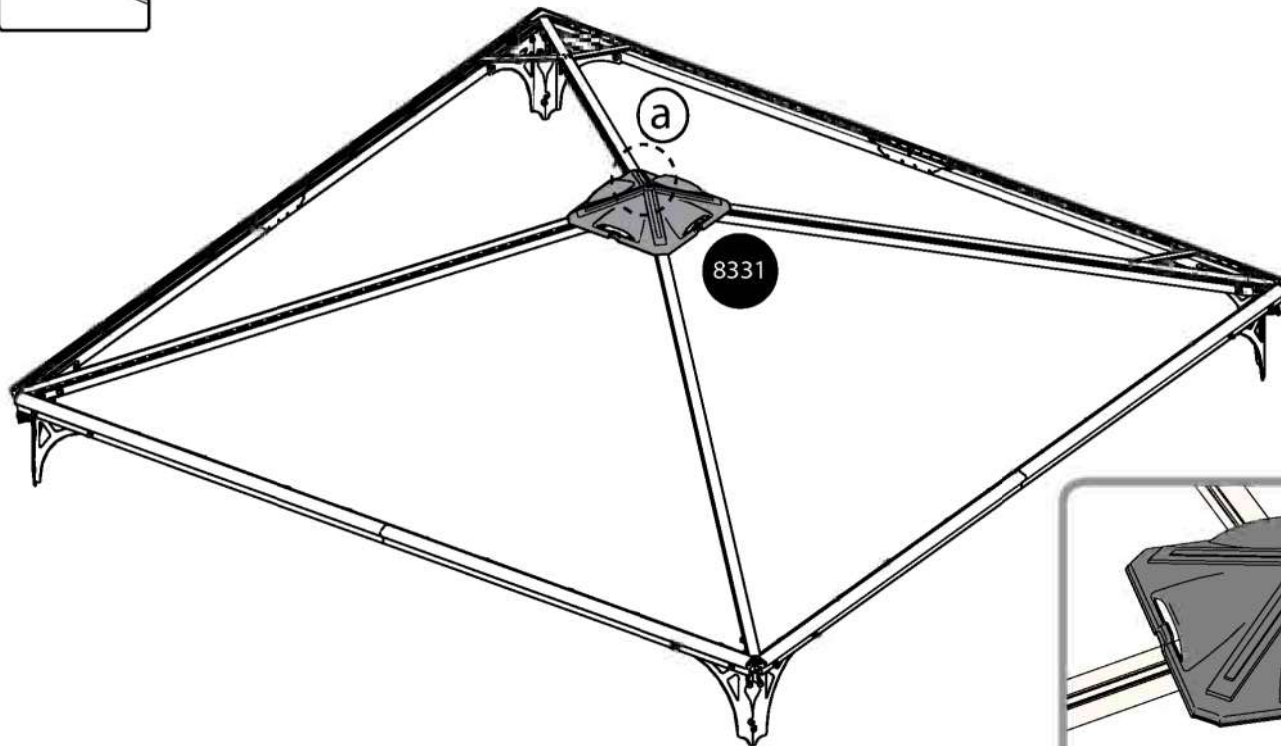
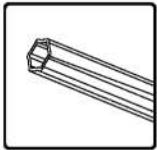


8 **i**

4024  1

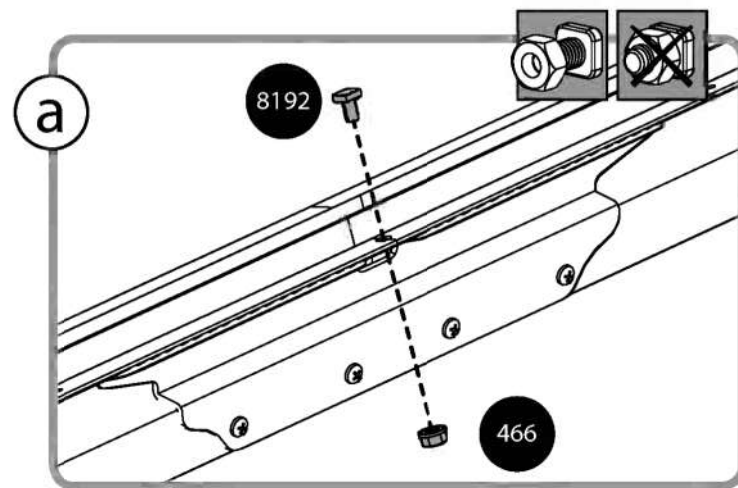
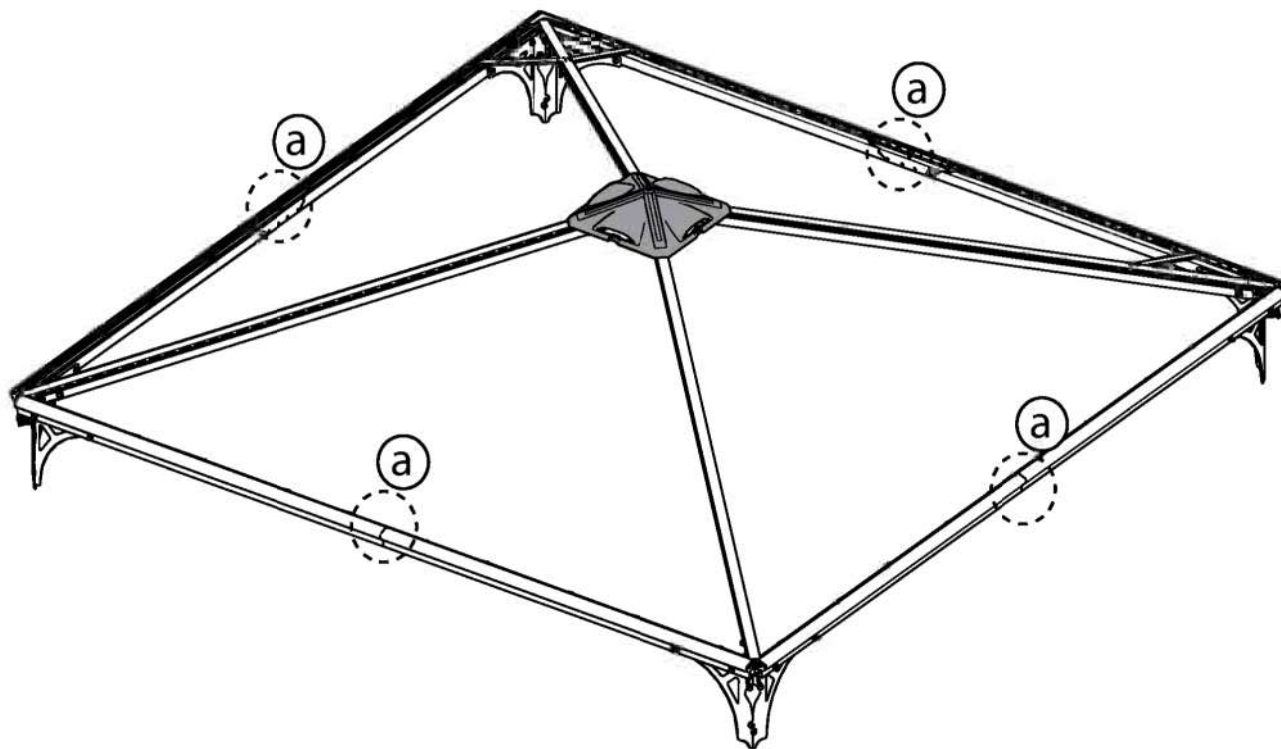
413  1

8331  1

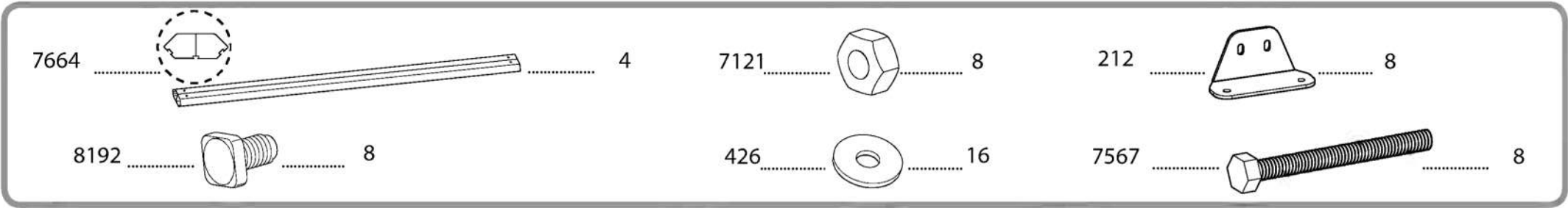


466  4

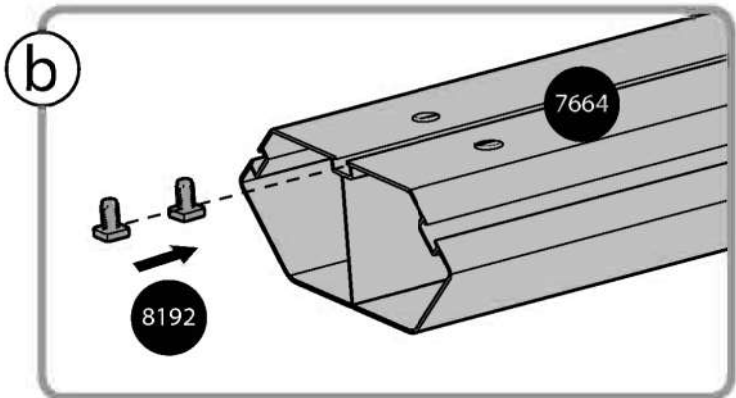
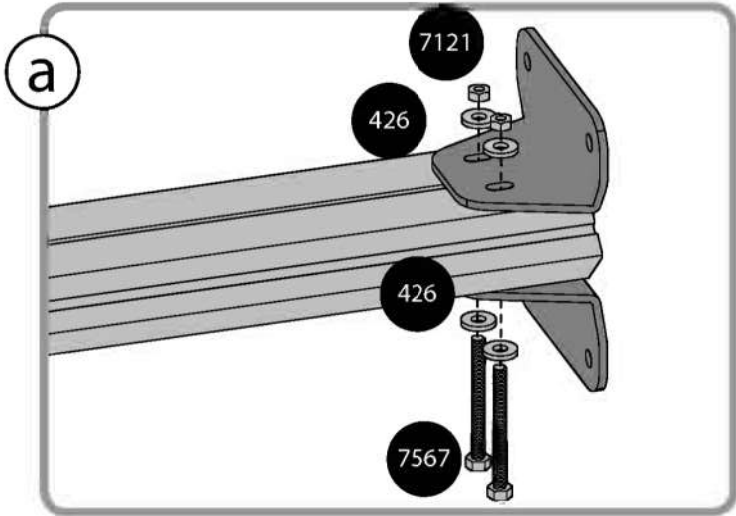
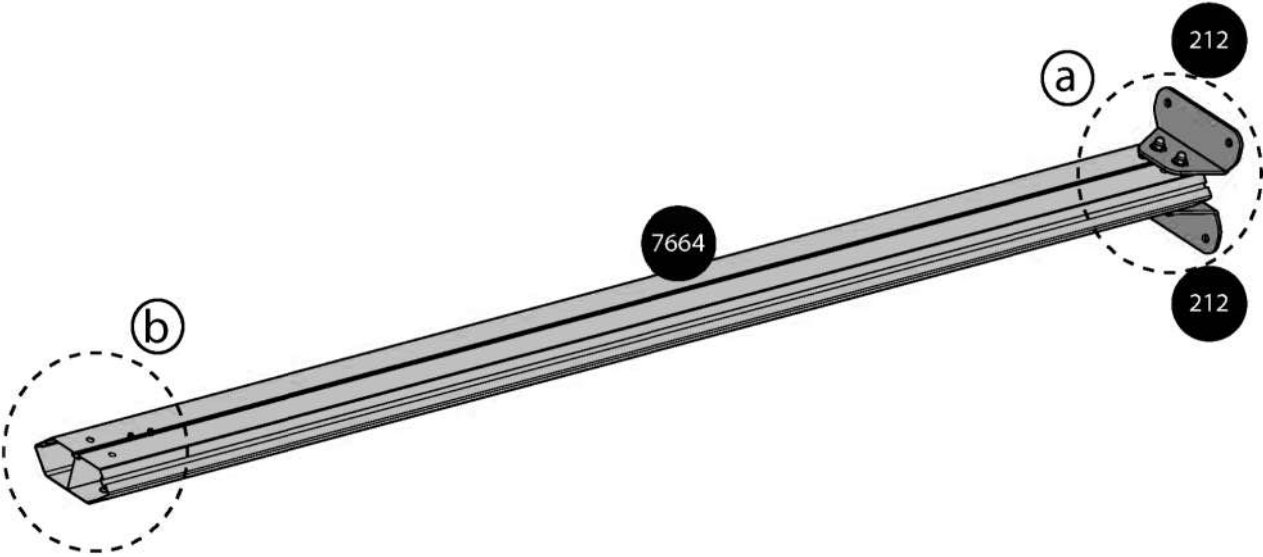
8192  4




10

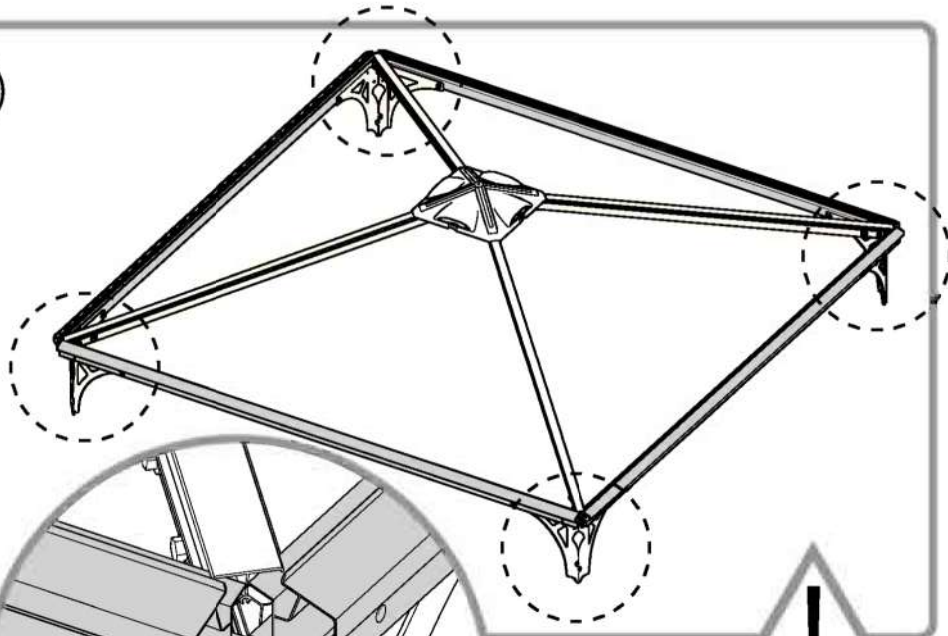


x4

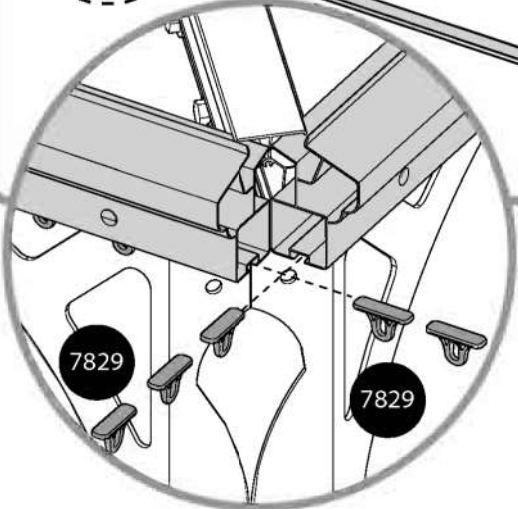


7829  65

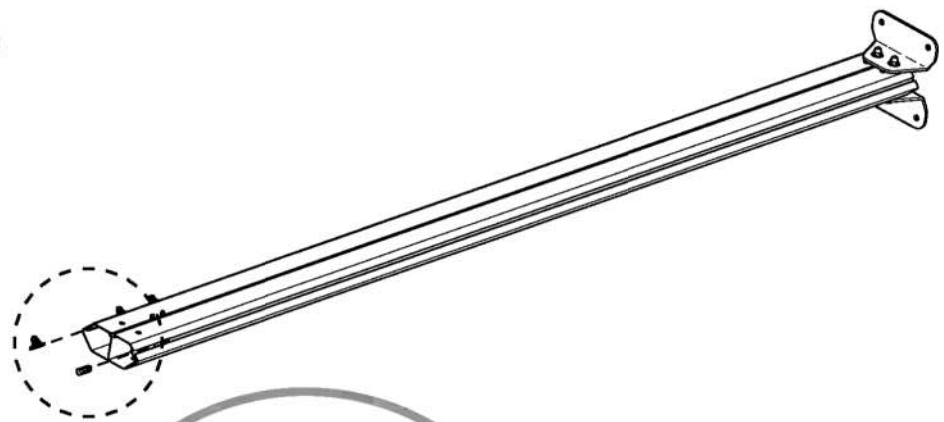
a



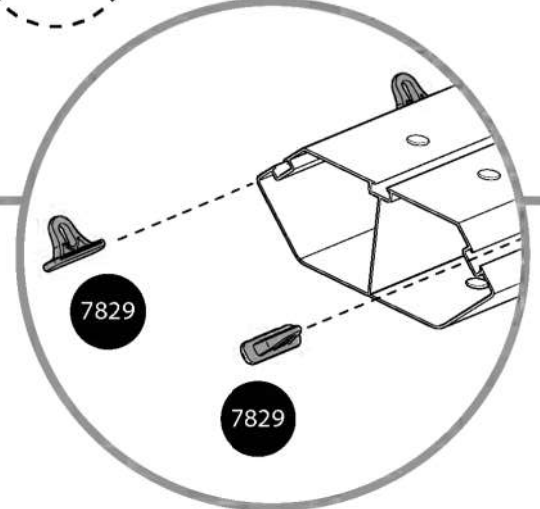
! Option





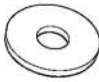
b

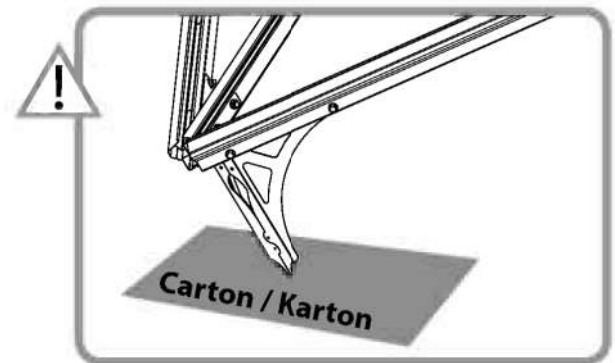
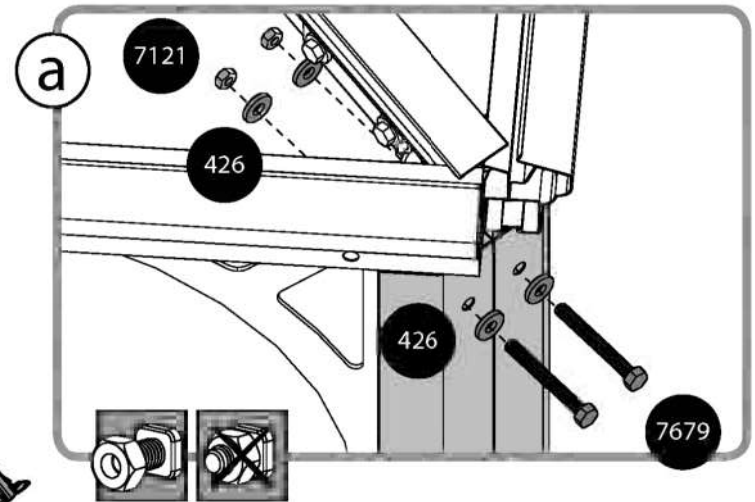
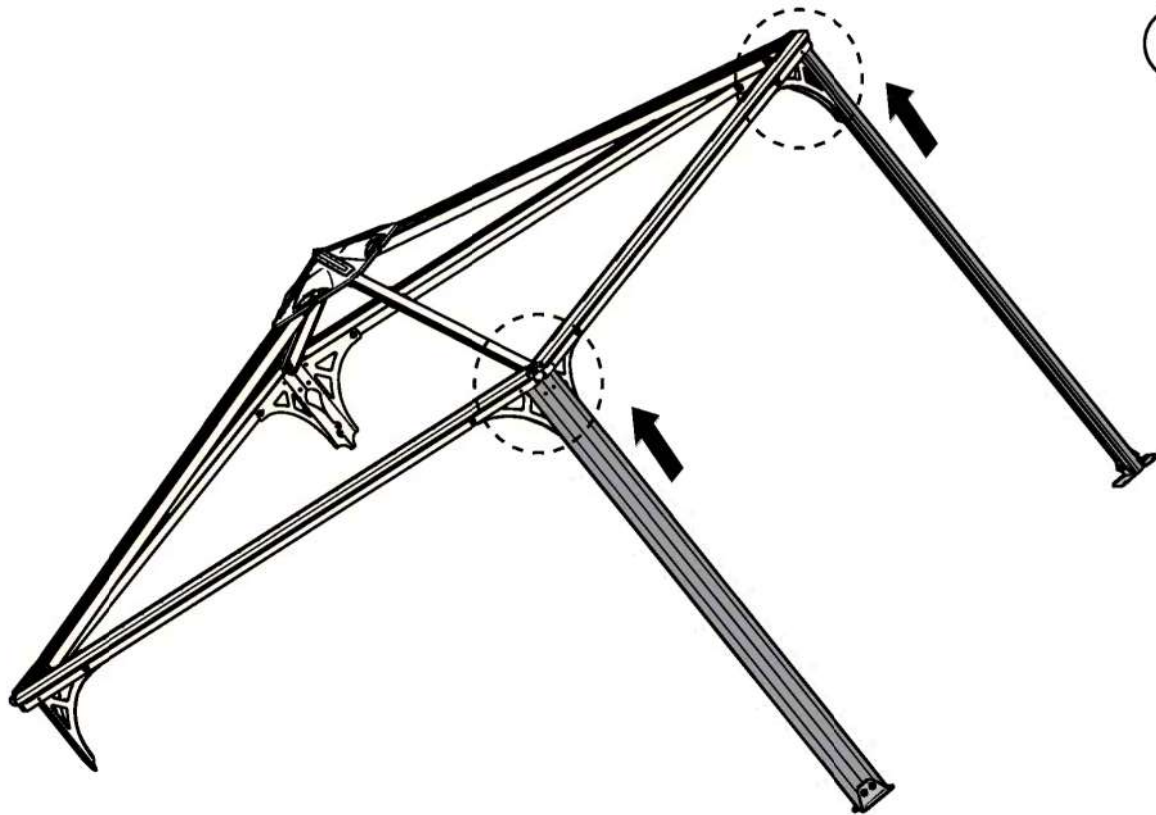


! Option

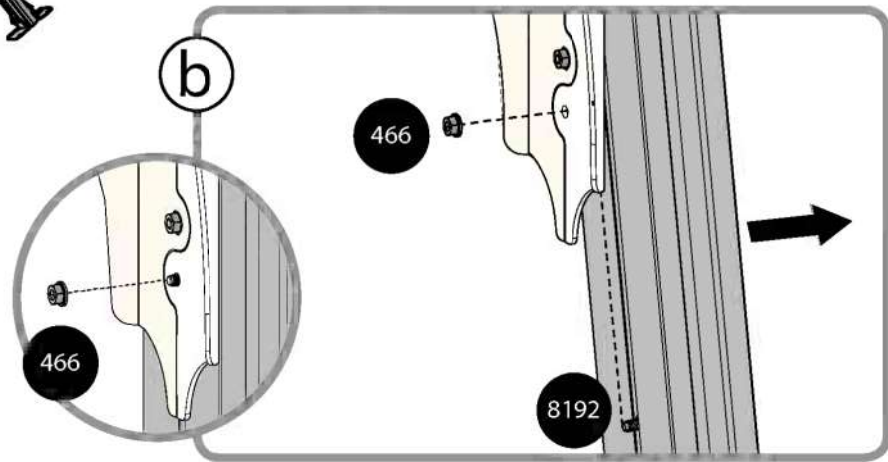
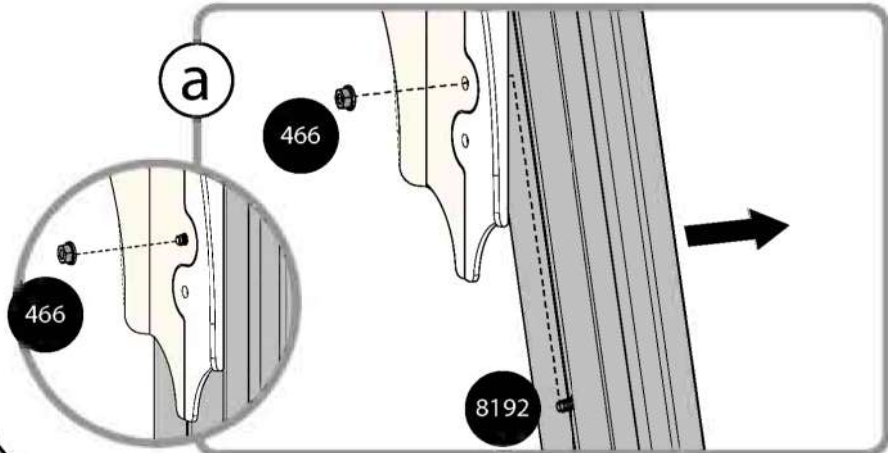
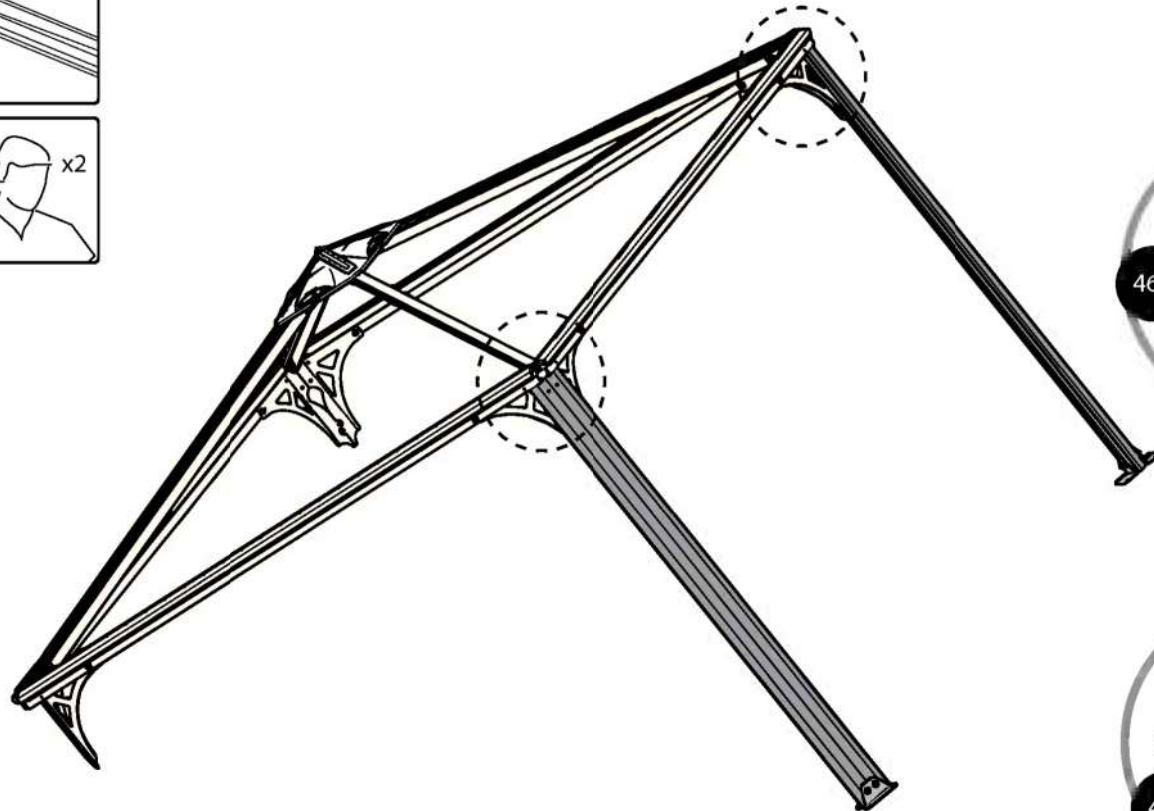
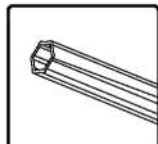


12 **i**

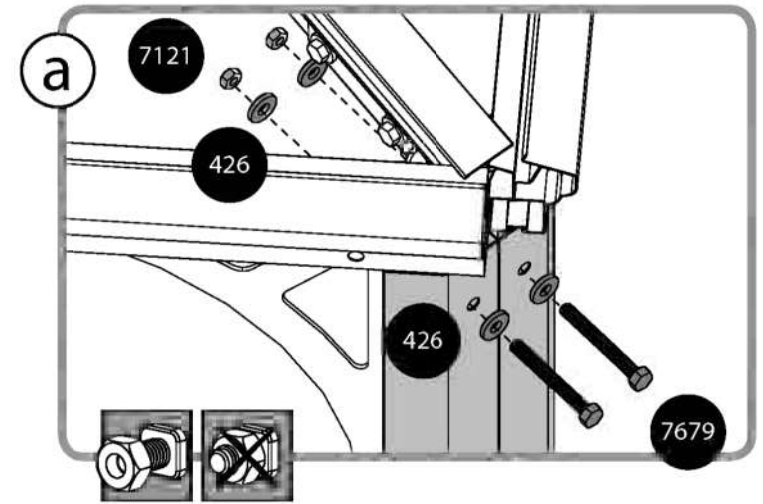
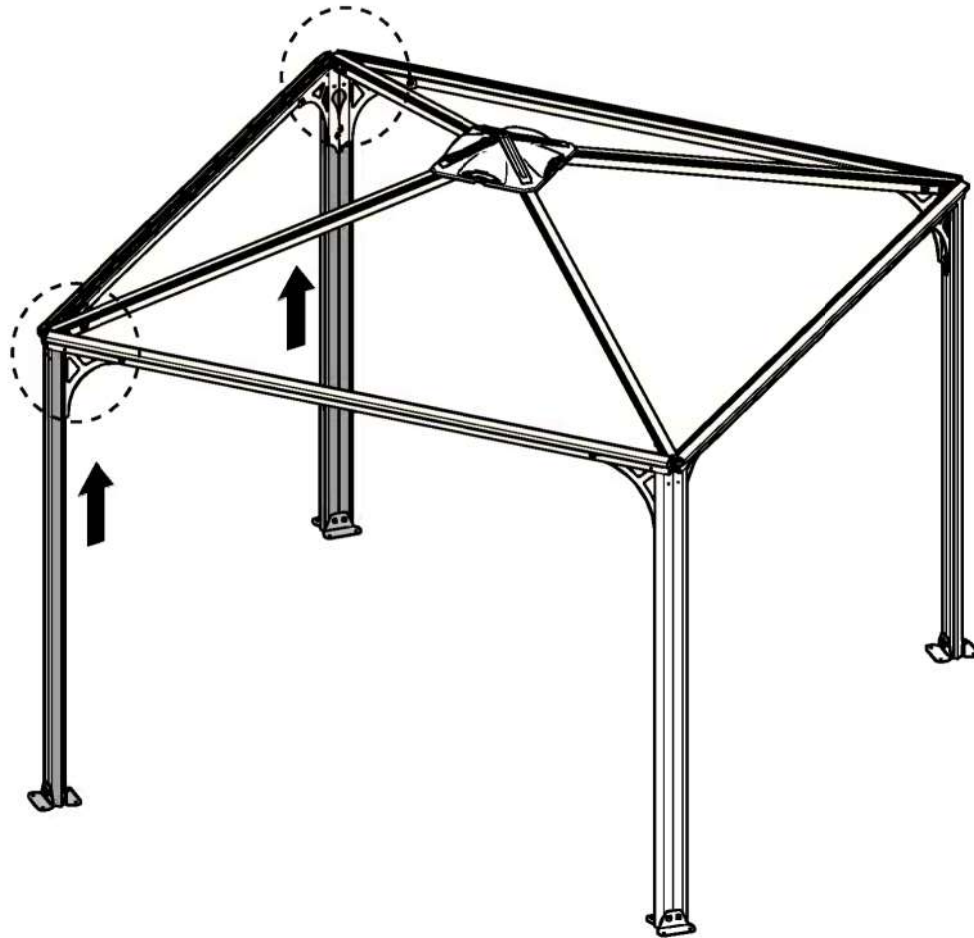
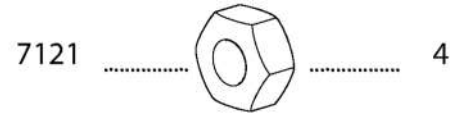
- 7679  4 7121  4 426  8



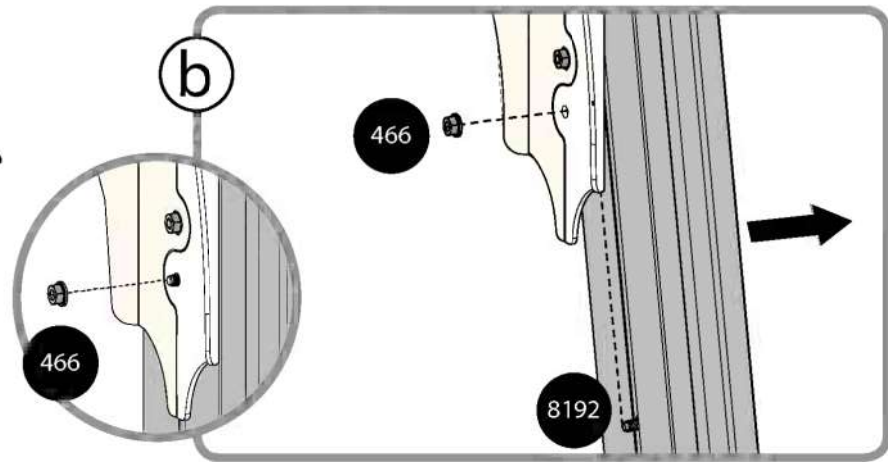
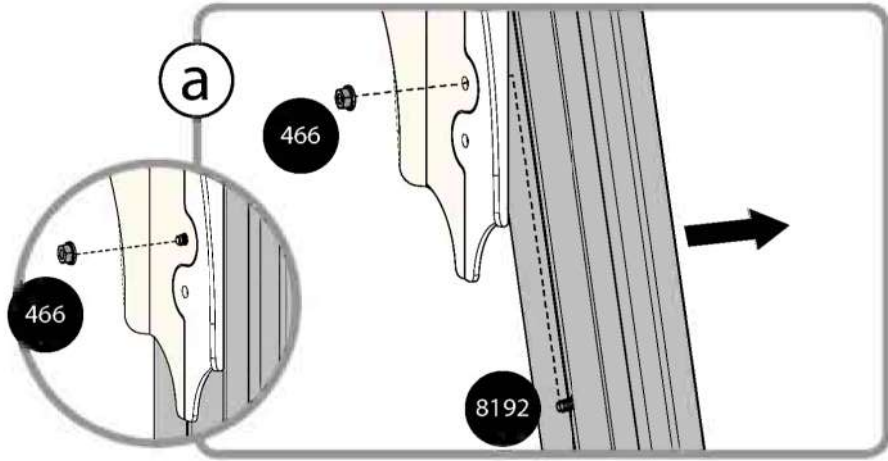
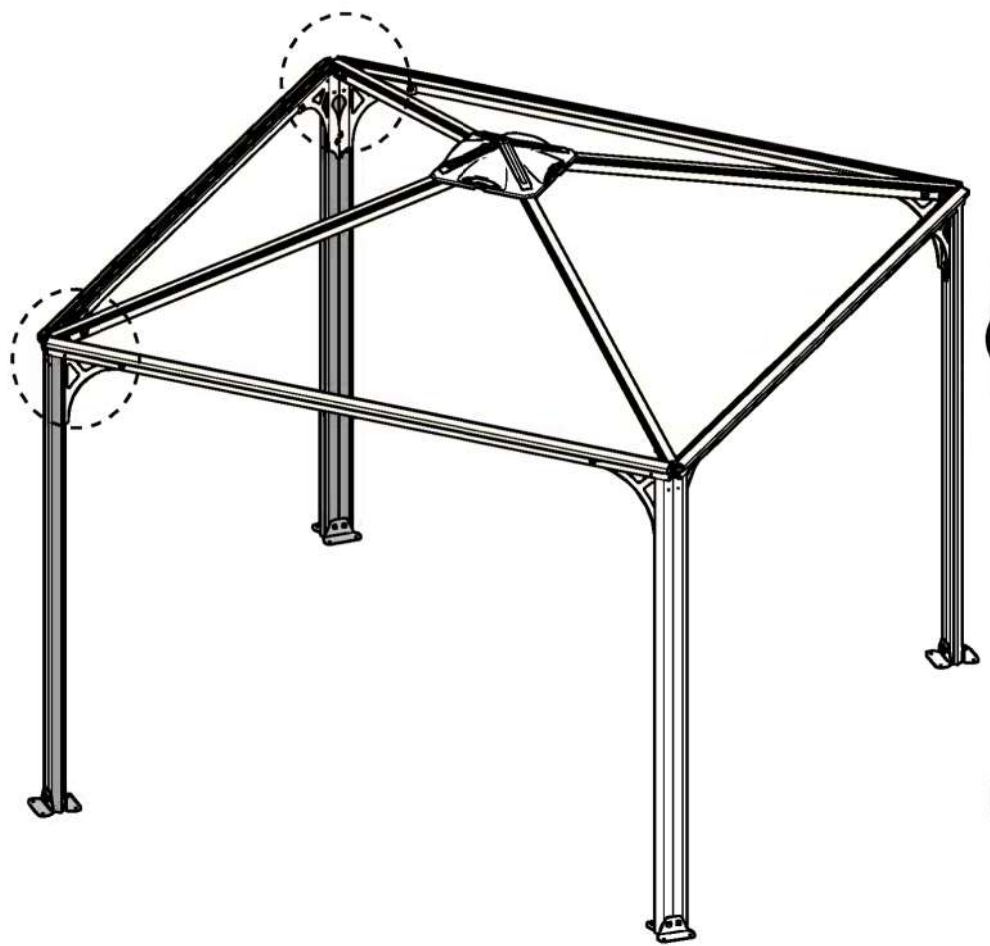
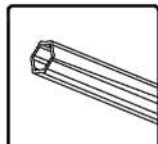
466  4

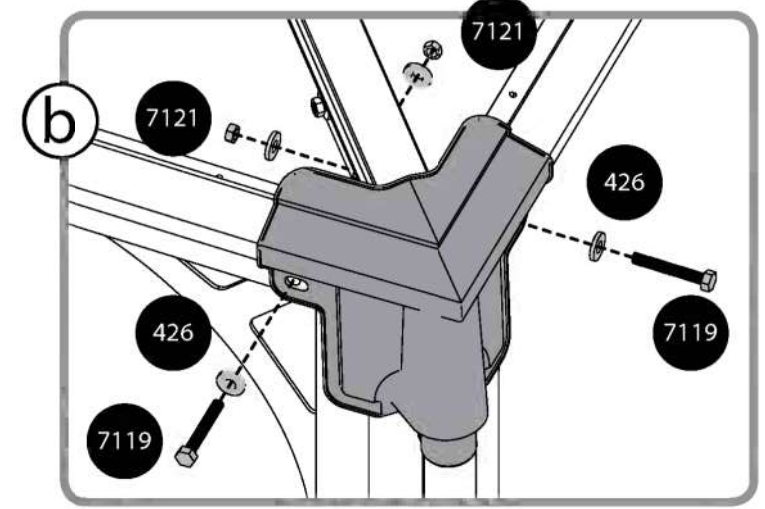
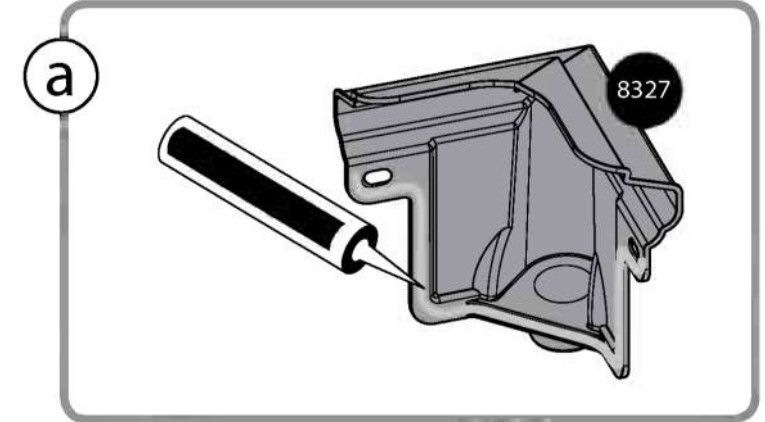
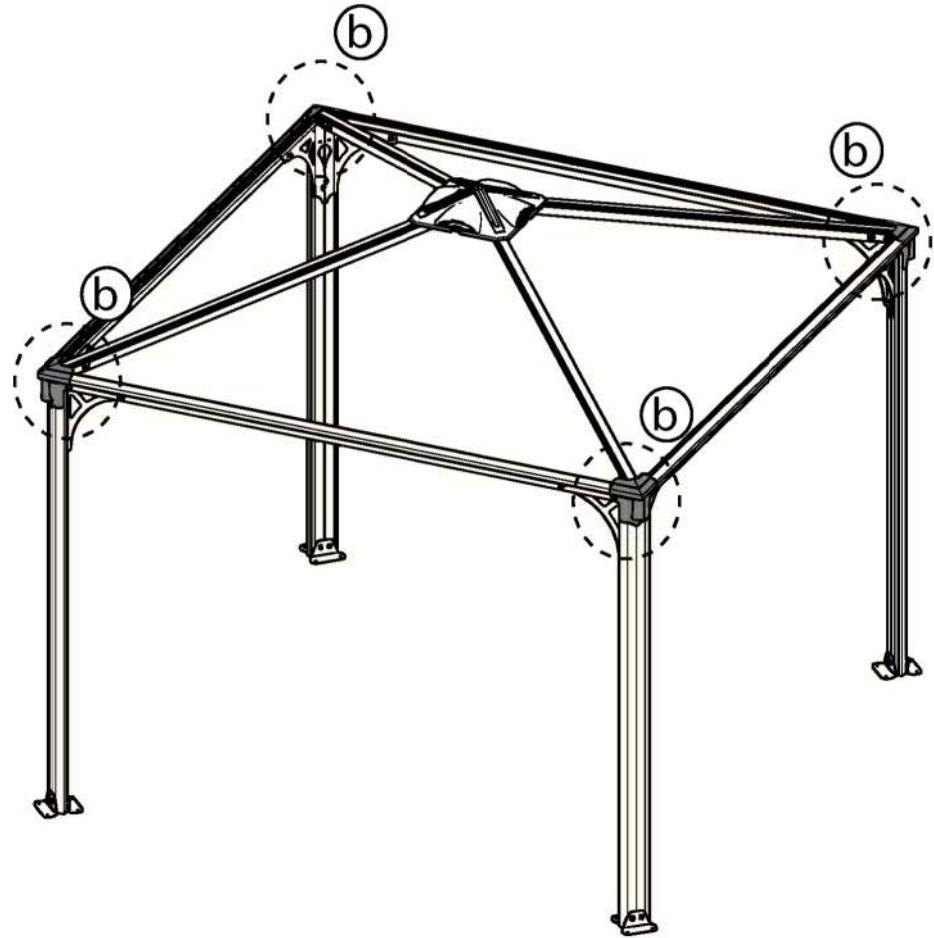
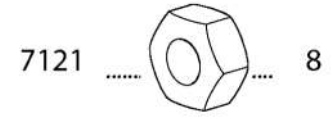
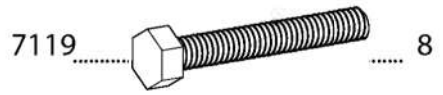


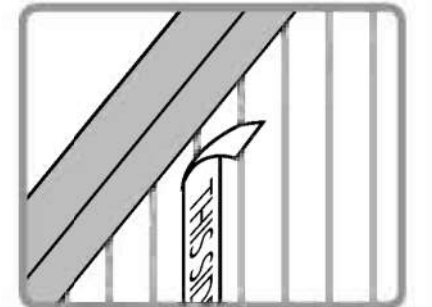
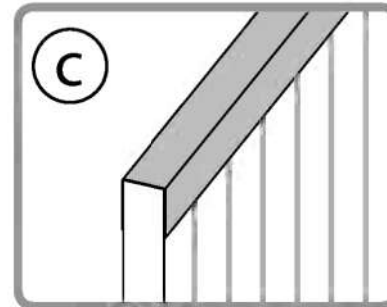
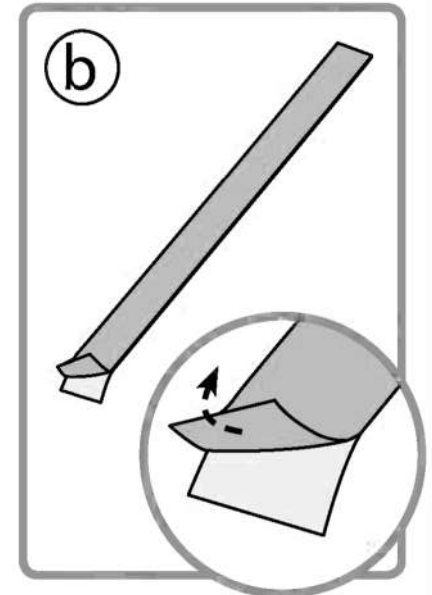
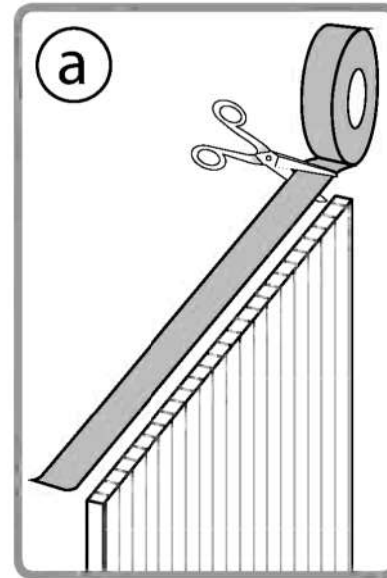
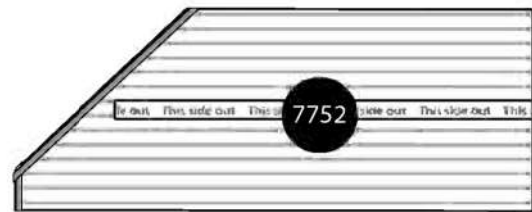
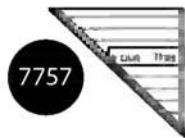
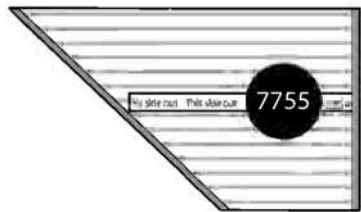
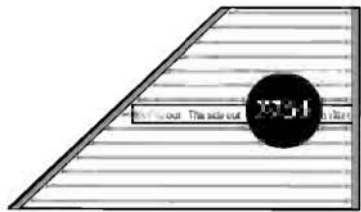
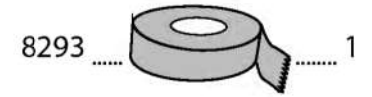
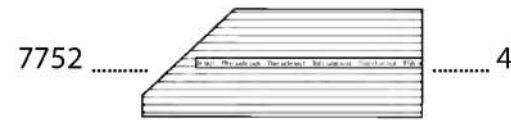
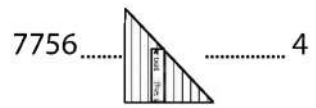
14 **i**

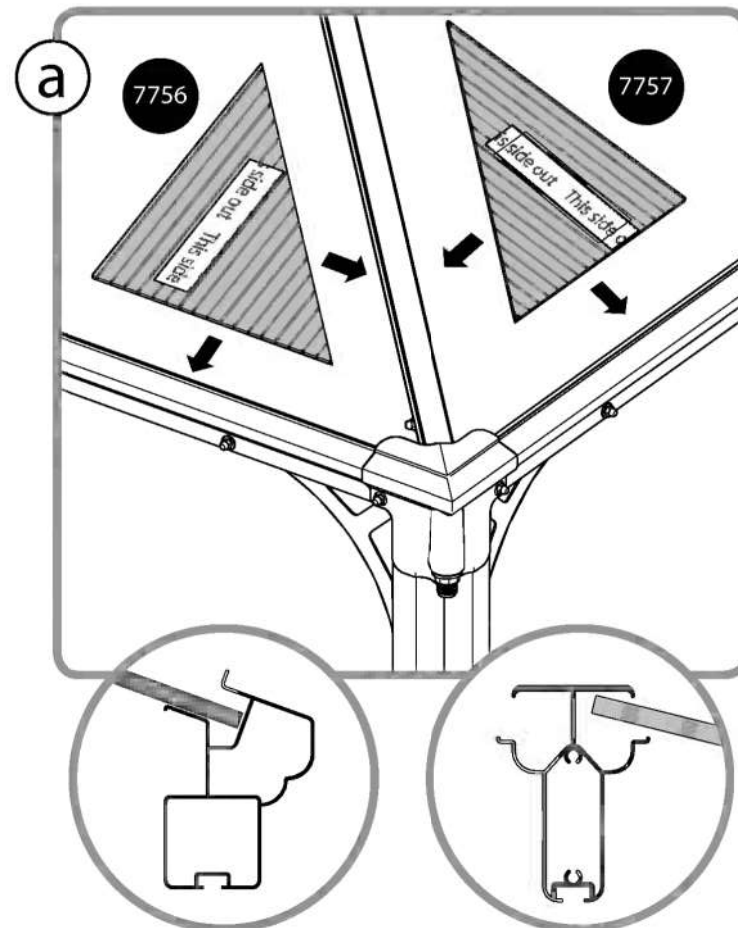
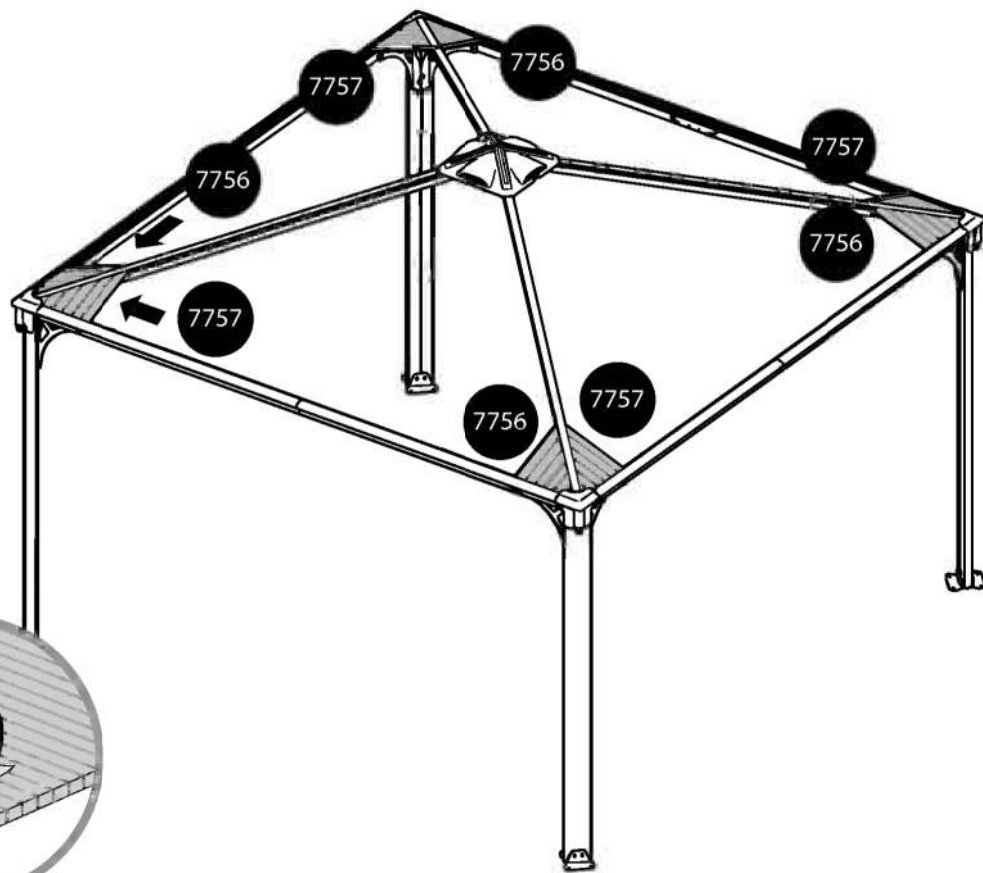


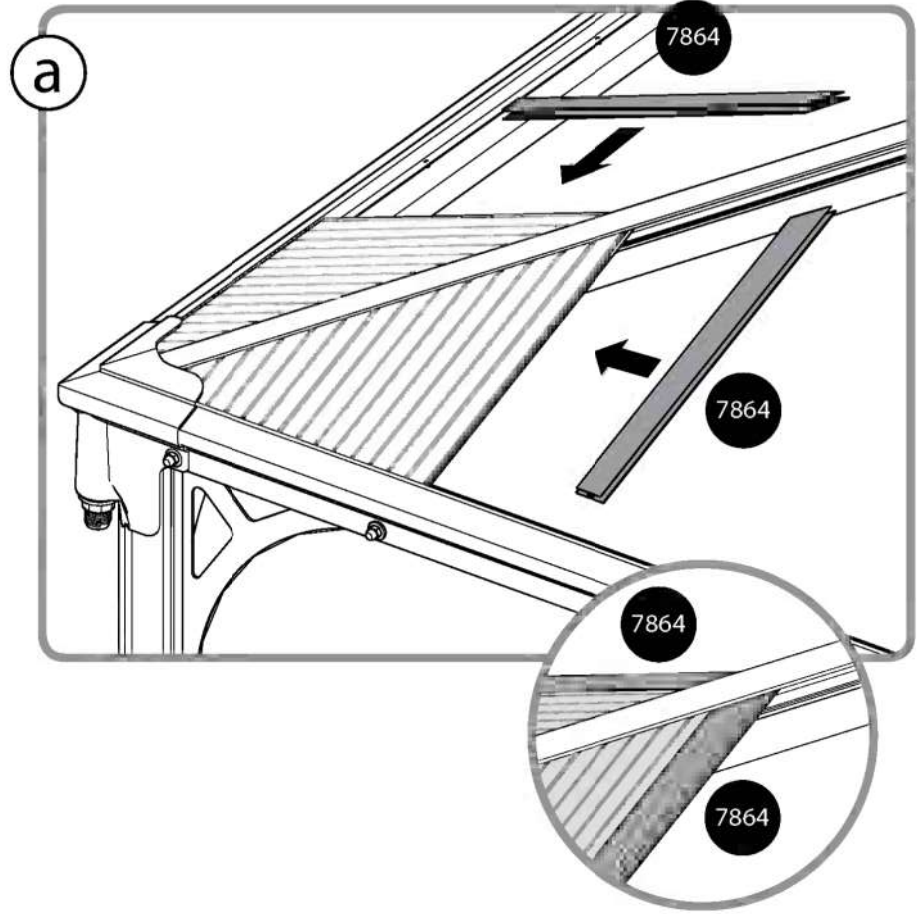
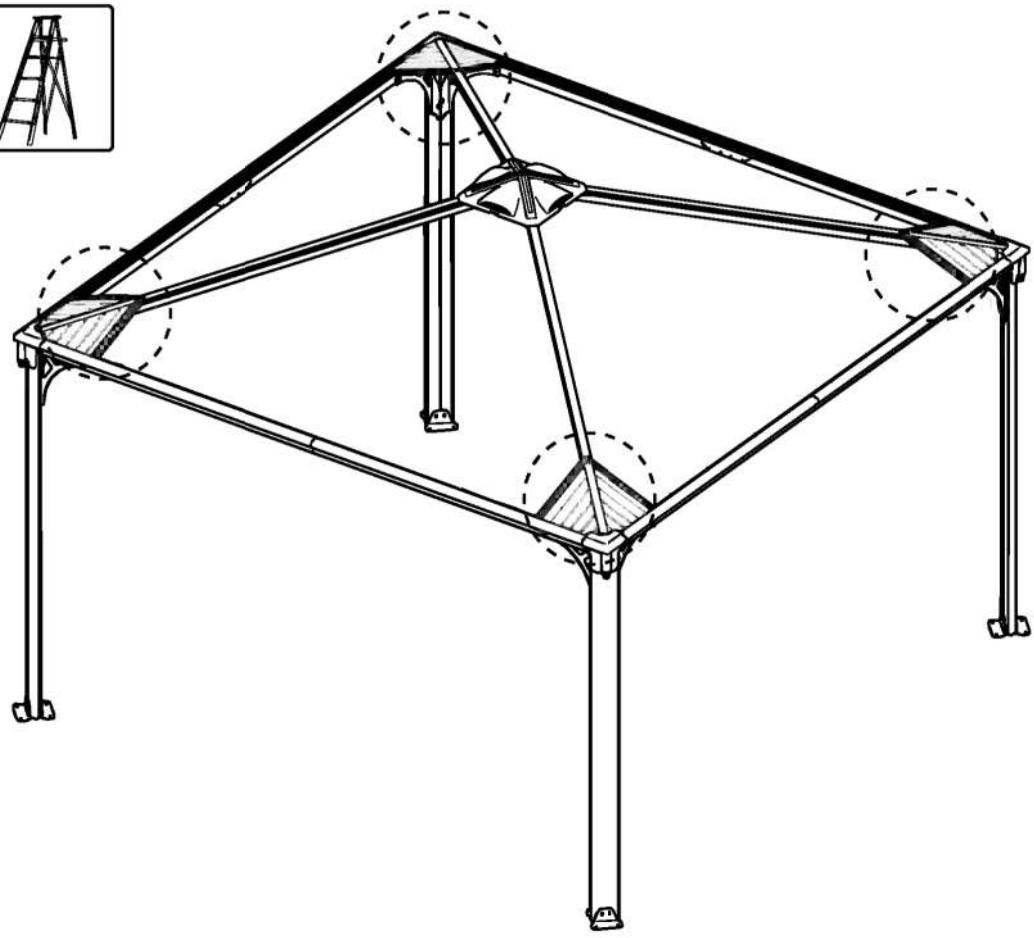
466  4





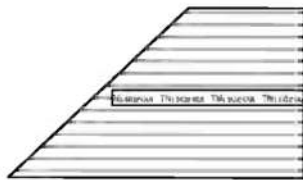








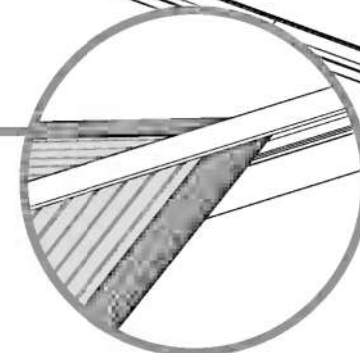
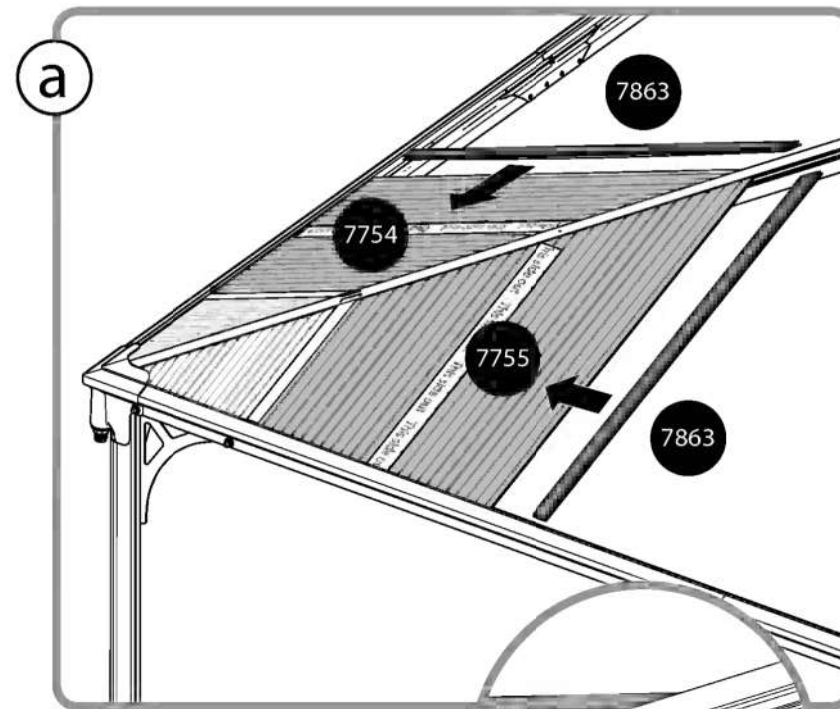
7755 4

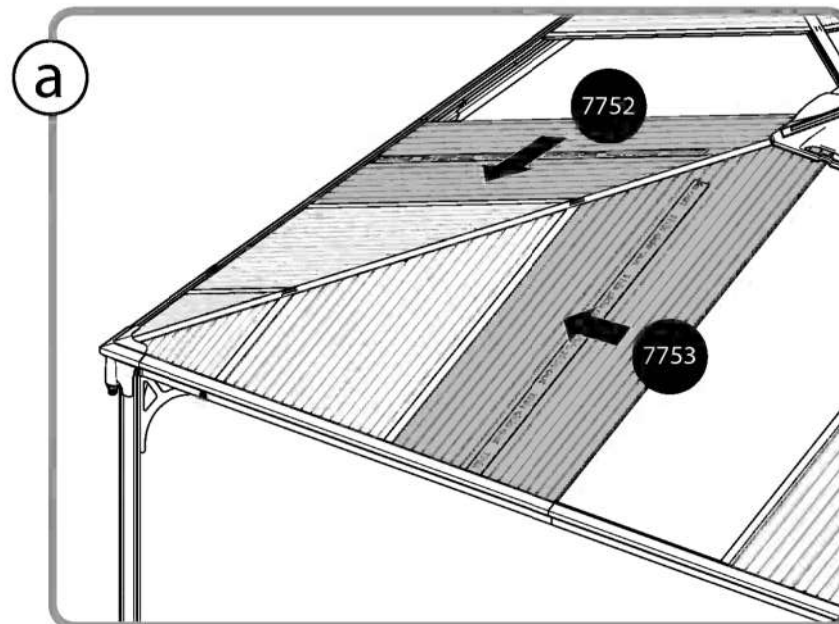
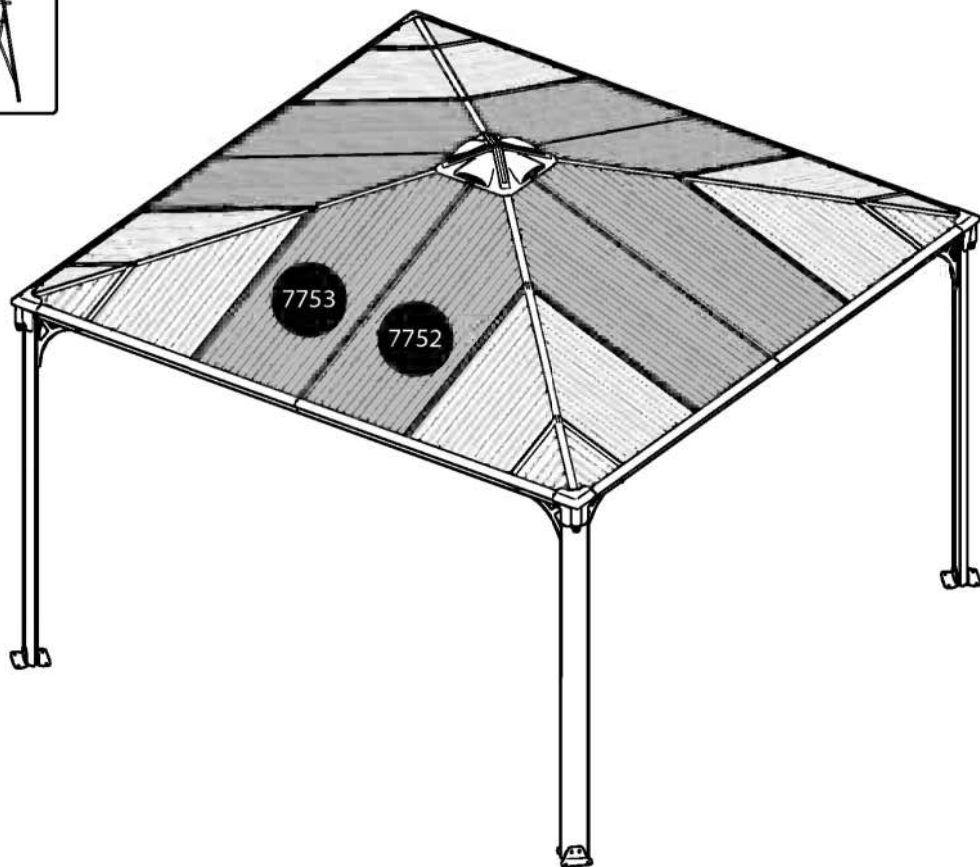
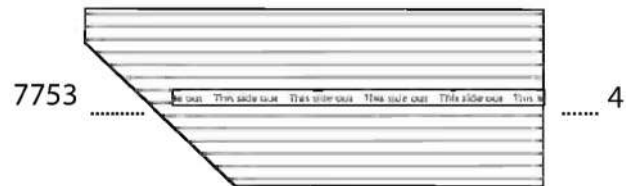
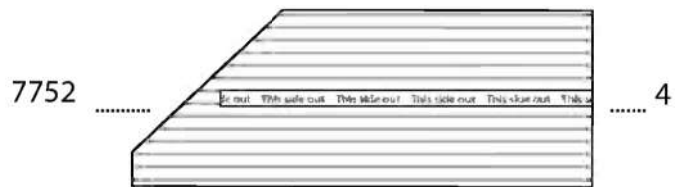


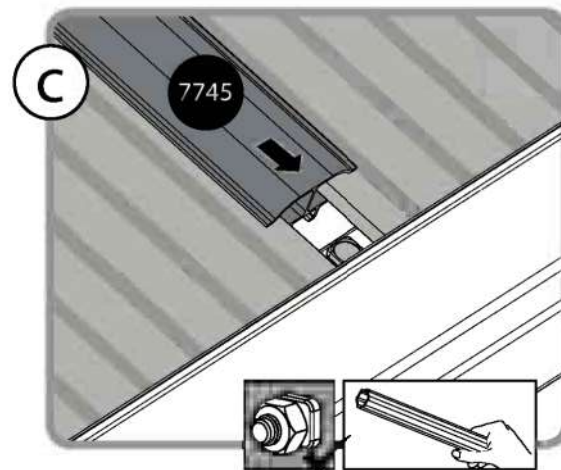
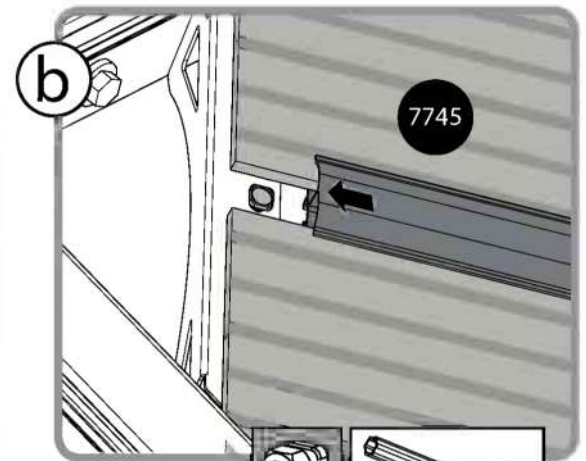
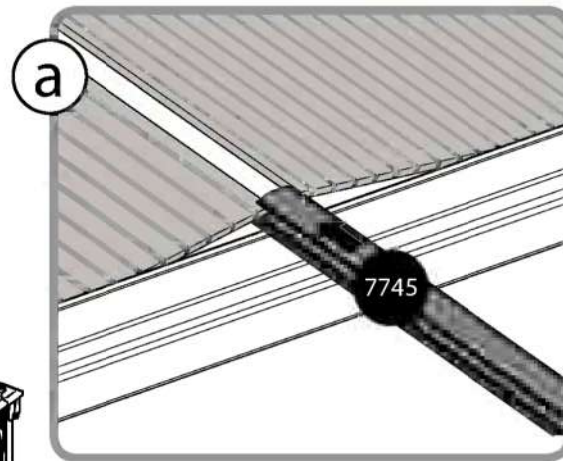
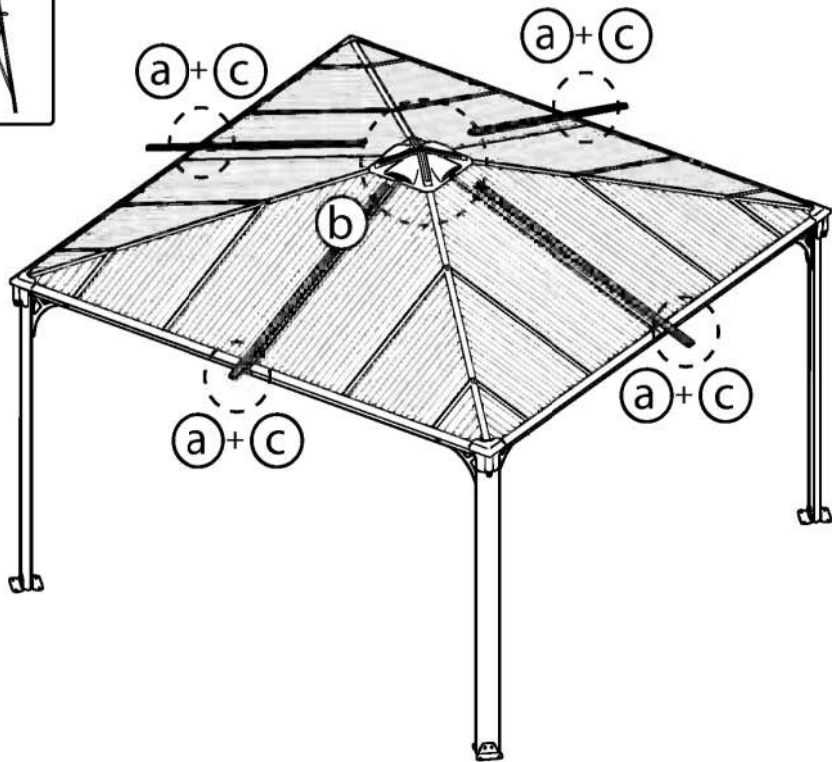
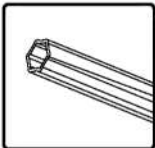
7754 4

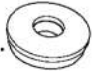



7863 8



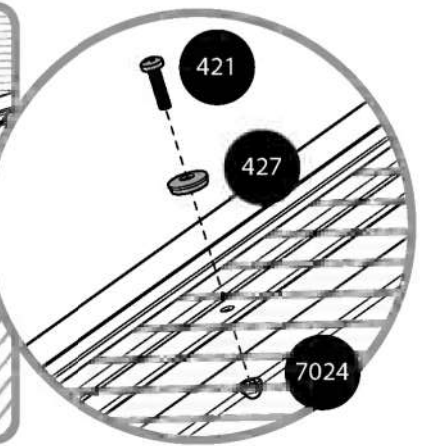
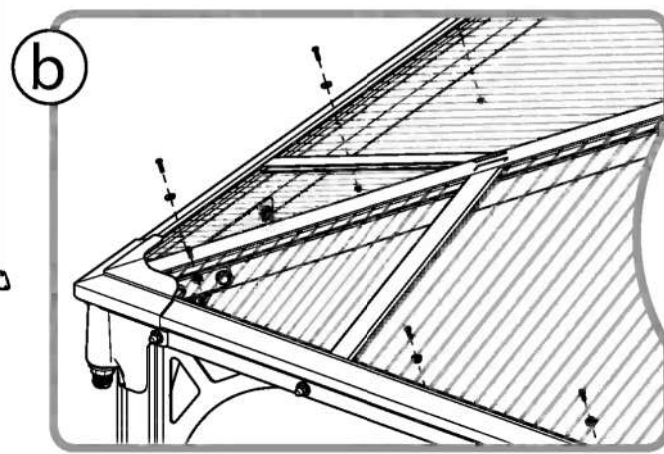
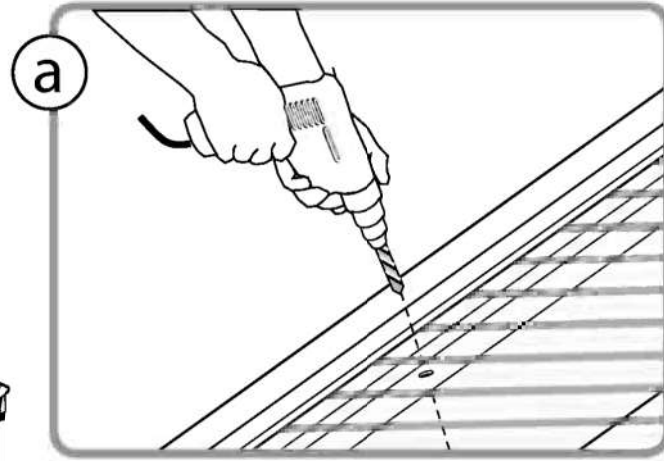
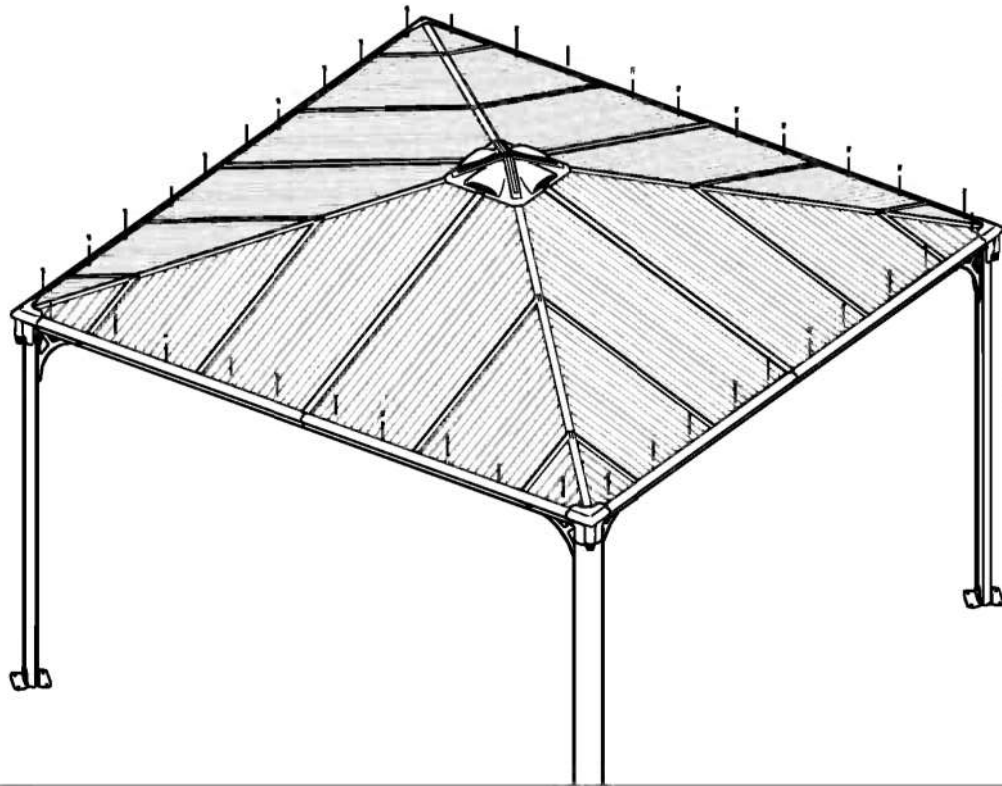




427  40

421  40

7024  40



4000 16



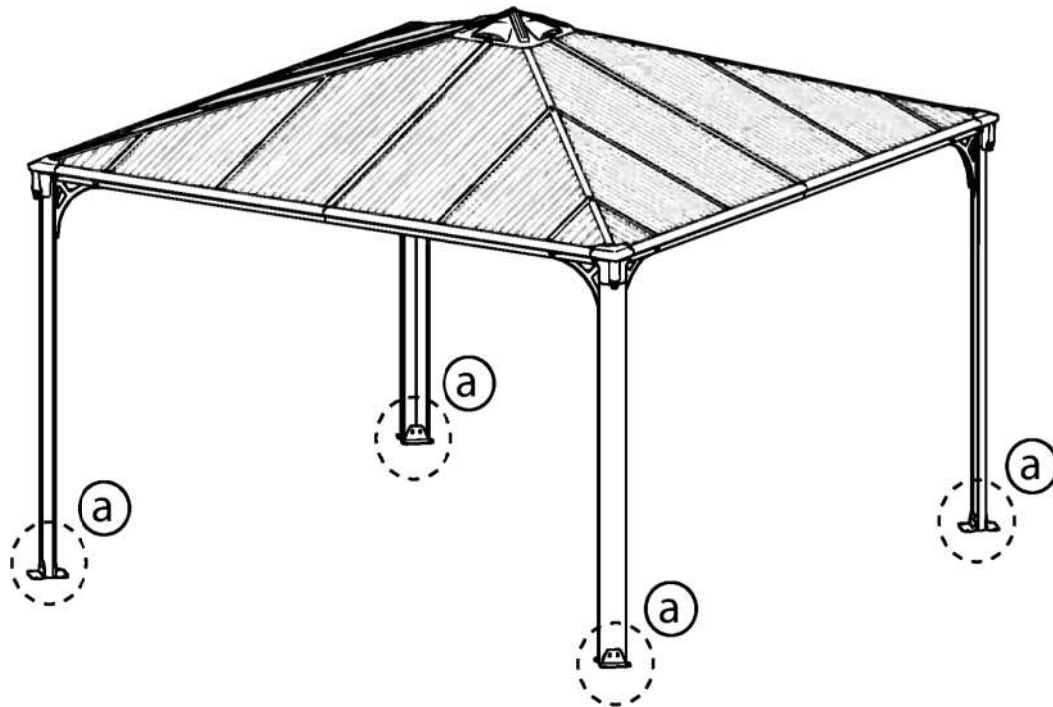
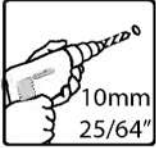
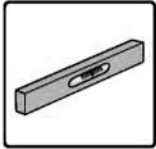
4010 16



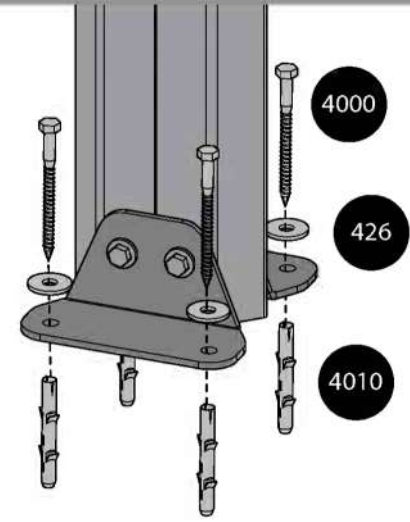
426 16



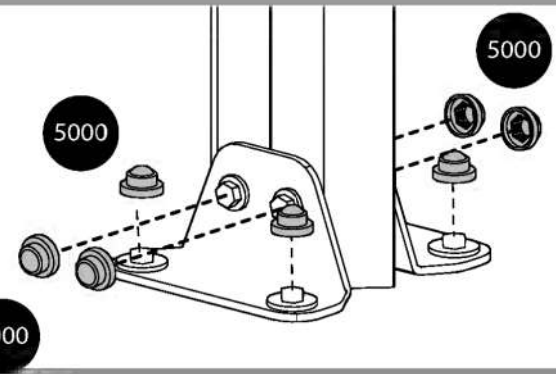
5000 32



a



b



5000  64 5001  16

