

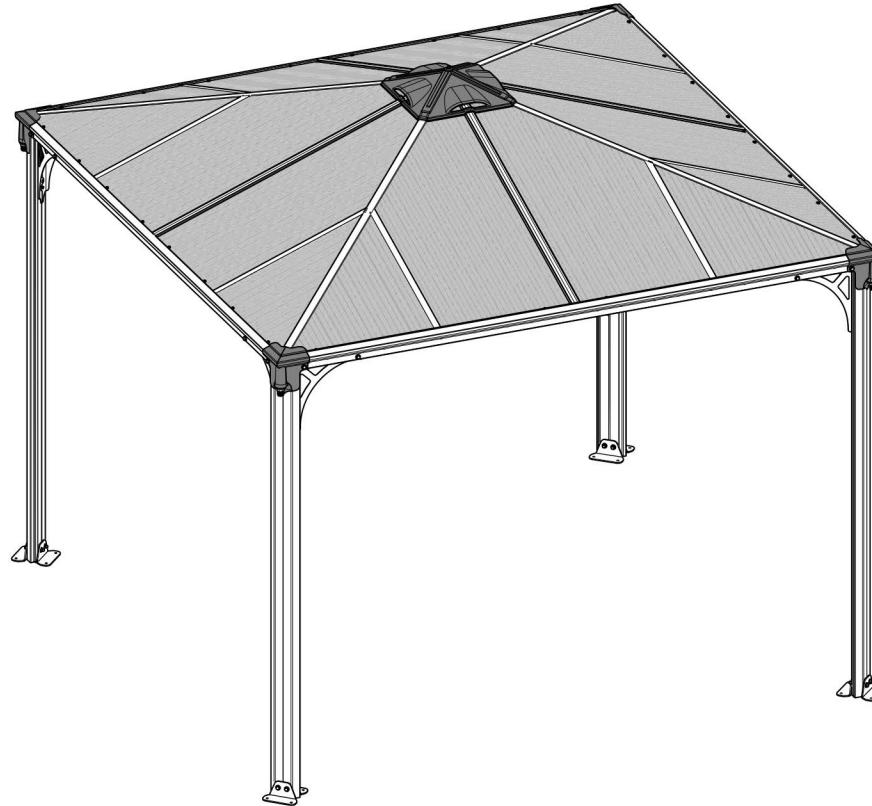
# Harlington 3000 Garden Gazebo

Approx. Dim.

295L x 295W x 276H cm / 116.1"L x 116.1"W x 108.7"H

 **Wind Resistant**  
90 km/hr  
55 ml/hr

 **Snow Load**  
120 kg/m<sup>2</sup>  
25 lbs/ft<sup>2</sup>

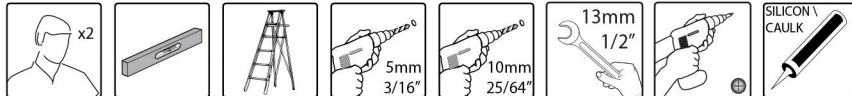


the  
**canopyshop**

T: 0345 241 7182

E: sales@thecanopyshop.co.uk

W: www.thecanopyshop.co.uk



**IMPORTANT**

Please read these instructions carefully before you start to assemble this product.  
Please carry out the steps in the order set out in these instructions.  
Keep these instructions in a safe place for future reference.

» **Care and Safety advice**

- Please follow the instructions as listed in this manual.
- Sort the parts and check against the contents list.
- For safety purposes we strongly recommend the product to be assembled by at least two people.
- Some parts have metal edges. Please be careful when handling components. Always wear gloves, shoes and safety goggles during assembly.
- Do not attempt to assemble the Gazebo in windy or wet conditions.
- Dispose of all plastic bags safely – keep them away from children's reach.
- Keep children away from the assembly area.
- Do not attempt to assemble the Gazebo if you are tired, have taken drugs, medications or alcohol, or if you are prone to dizzy spells.
- When using a stepladder or power tools, make sure that you are following the manufacturer's safety advice.
- Do not climb or stand on the roof.
- Heavy articles should not be leaned against the poles.
- Keep roof and gutters clear of snow, dirt & leaves.
- Heavy snow load on roof can damage the Gazebo making it unsafe to stand below or nearby.
- This product was designed to be used mainly as a Gazebo.

If color was scratched during assembly it can be fixed with the following tints:  
Grey – RAL 7012

» **Cleaning instructions**

In order to clean the Gazebo, use a mild detergent solution and rinse with cold clean water.  
Do not use acetone, abrasive cleaners, or other special detergents to clean the panels.

» **Tools & Equipment**

T001 (Supplied)

**Attention**

- Please make sure you install the panels with the UV protected side out (marked with "THIS SIDE OUT") and peel the film strip covering the panels.
- Screws and plugs are not supplied.
- Please tighten all screws when completing assembly.
- Anchoring this product to the ground is essential to its stability and rigidity. It is required to complete this stage in order for your warranty to be valid.



When encountering the information icon, please refer to the relevant assembly step for additional comments and assistance.

» **During Assembly**

During assembly use a soft surface below the parts to avoid scratches and damages.

**Steps 3-12:**

- It is recommended to use a carton or other soft material under the lowered corner in order to avoid scratches and peeling of paint.

**Step 10:**

- Optional - if you wish to add Palram's curtains/netting - Please thread 16 of the plastic clips through the rail in each of the four profiles in order to hang the curtains/netting (not supplied).

**Steps 10a+12a:**

- Please note that threading of the screws should be done from the outside

**Steps 12+14:**

- Please note that threading of the screws should be made from the bottom up.

**Step 15b:**

- Please add silicone on the inner area of part #8327 as illustrated

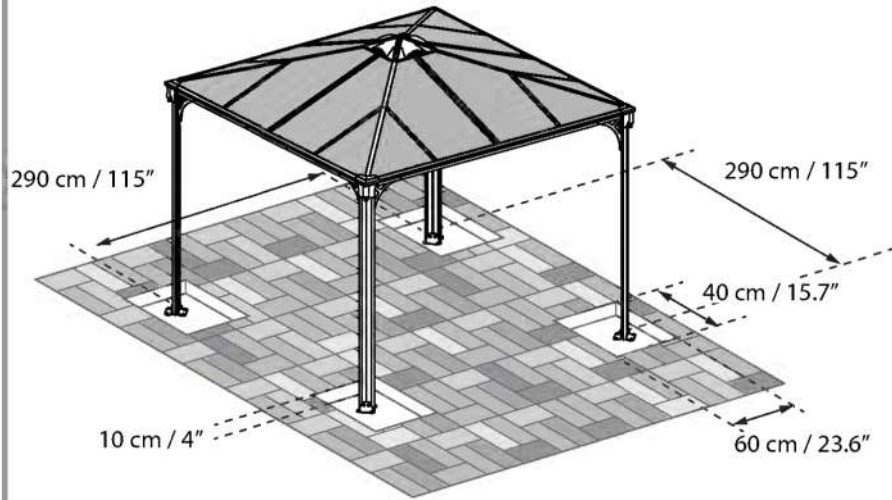
**Step 21a:**

- Please drill holes in the panels to be located precisely parallel to the holes in profile #7663.

**Step 22:**

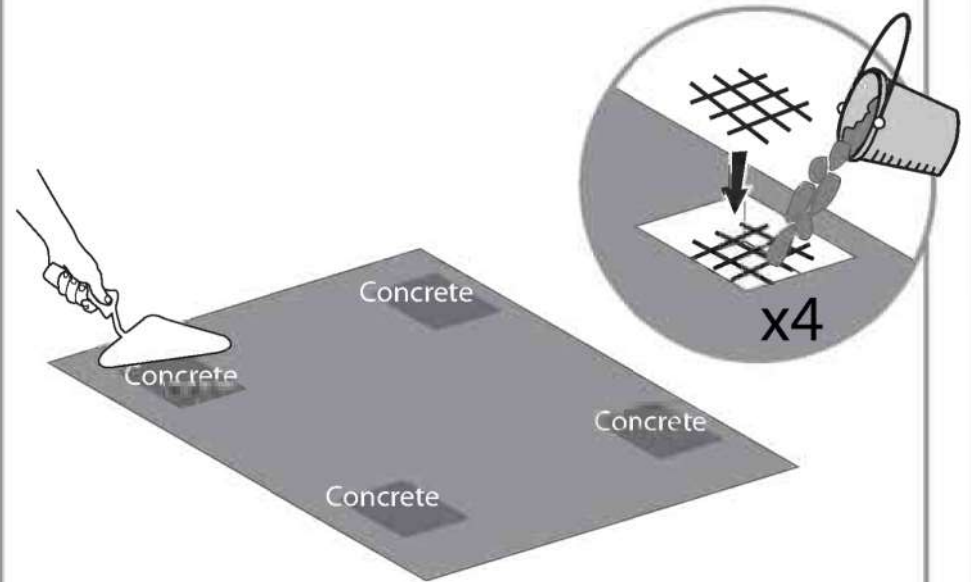
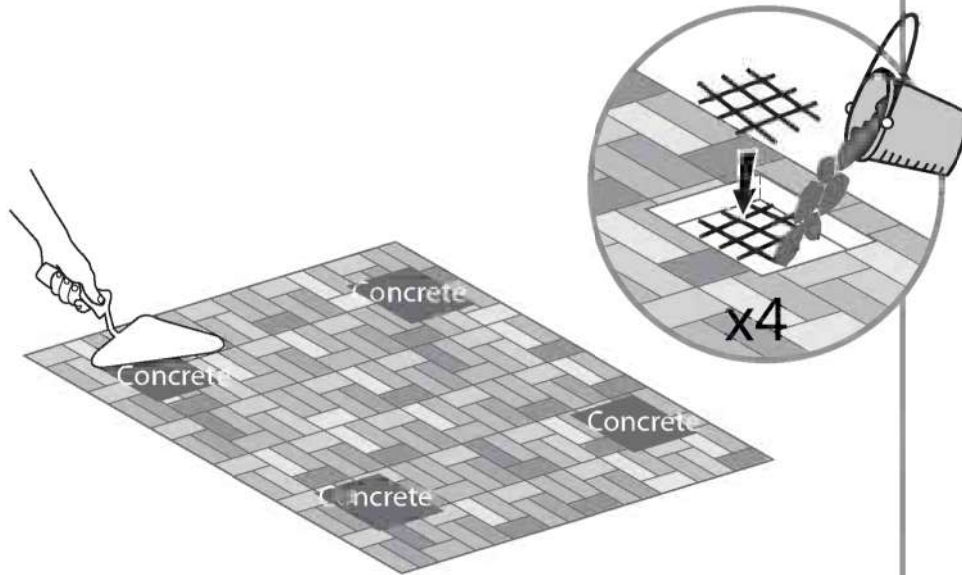
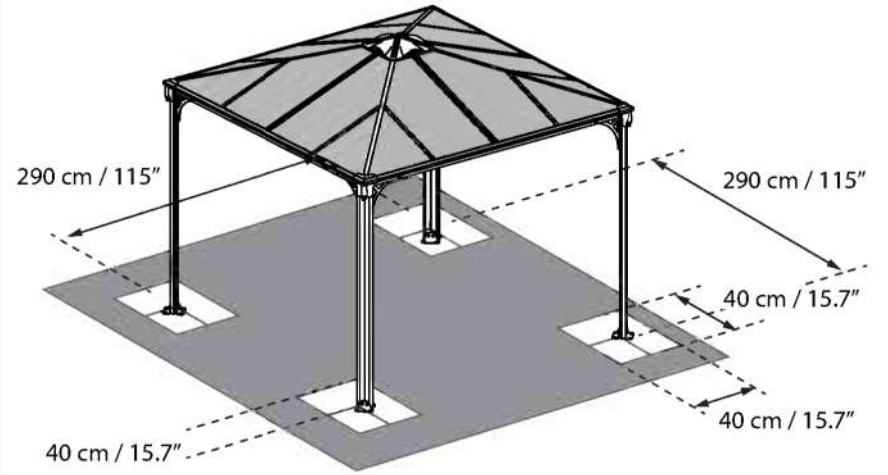
- Please level the profile's legs and adapt screws and plugs to your specific ground type.

Pavement Stone




OR




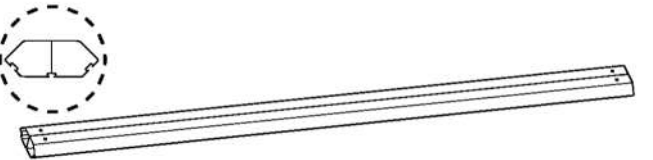

Asphalt / Soil

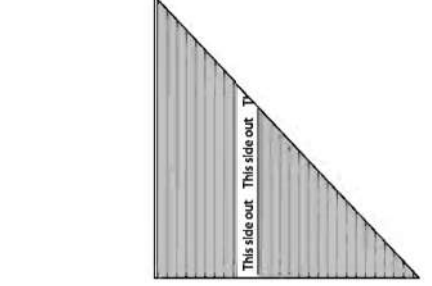
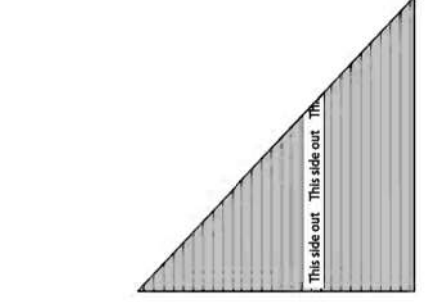
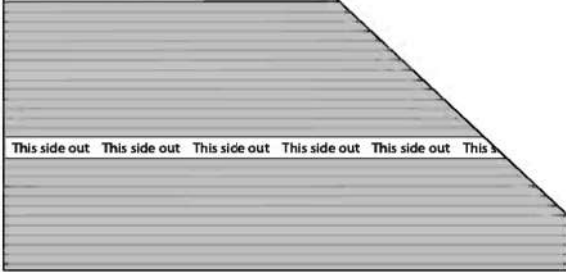
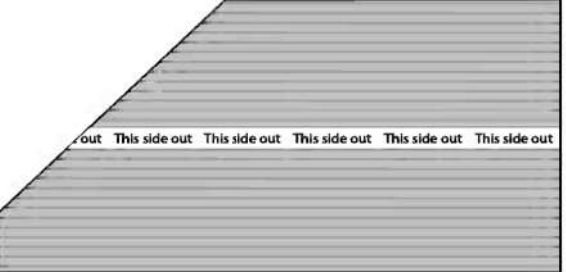


# Contents

Item	Qty.	Item	Qty.	Item	Qty.	Item	Qty.
8192	16 (+2)	433	10 (+1)	7670	4	7829	70
466	17 (+3)	426	102 (+4)	7669	4	 Option	
421	32 (+3)	4024	1	7673	2		
7682	1	427	32 (+3)	7672	2		
4000	16 (+1)	7024	32 (+3)	7671	4		
4010	16 (+1)	413	1	212	8		
5000	96 (+6)	7121	49 (+3)	7674	1		
5001	16 (+2)	8331	1	T001	1	8293	1
7680	17 (+1)	8327	4				
7119	16 (+1)						
7679	8 (+1)						
7567	8 (+1)						

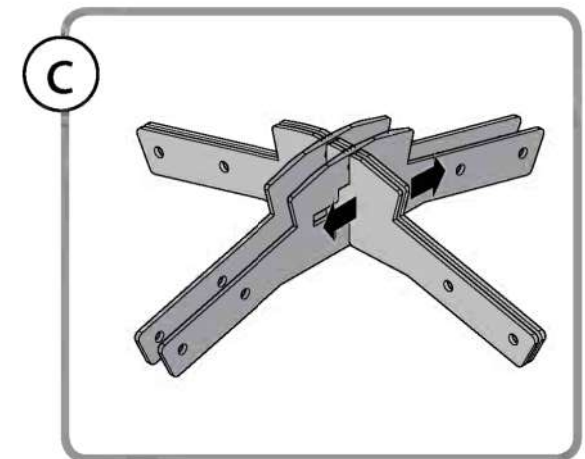
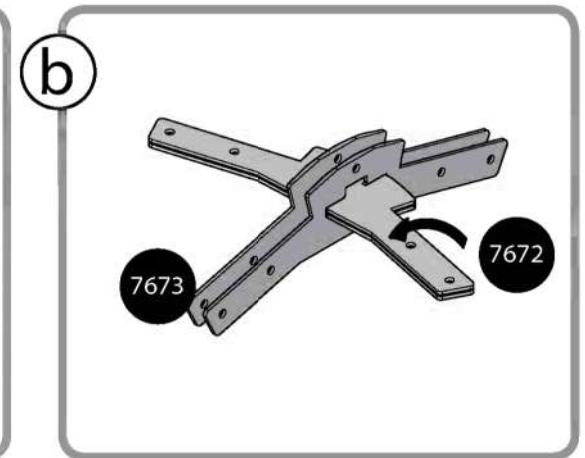
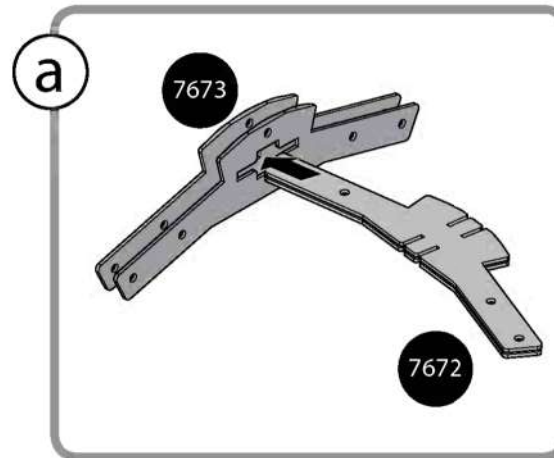
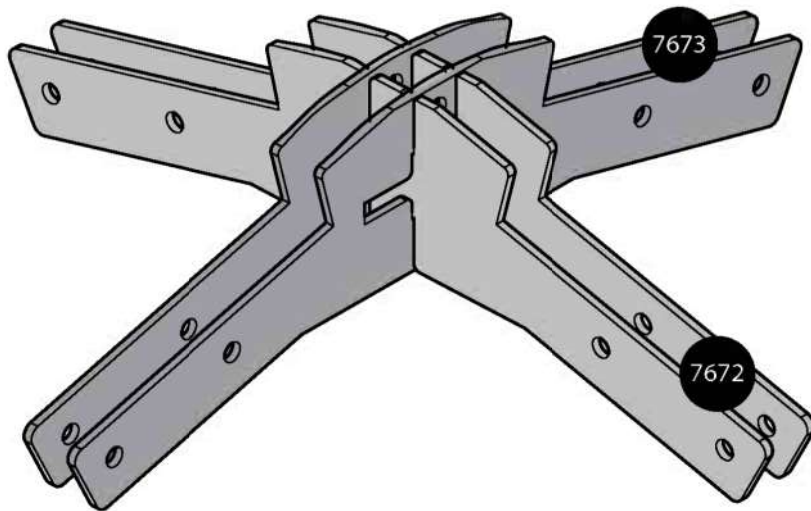
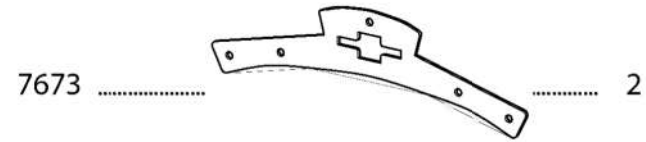
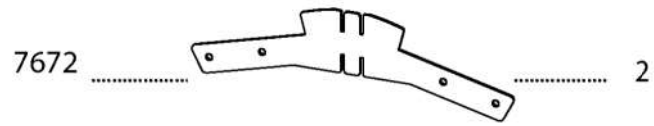
**Contents**

Item		Qty.
7663		4
7666		4
7665		4
7664		4
7867		8

Item		Qty.
7677		4
7678		4
7676		4
7675		4



1



7682 ..... 1



1

466 ..... 1



1

426 ..... 1



1

7680 ..... 1



1

7121 ..... 1



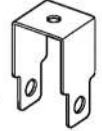
1

433 ..... 2



2

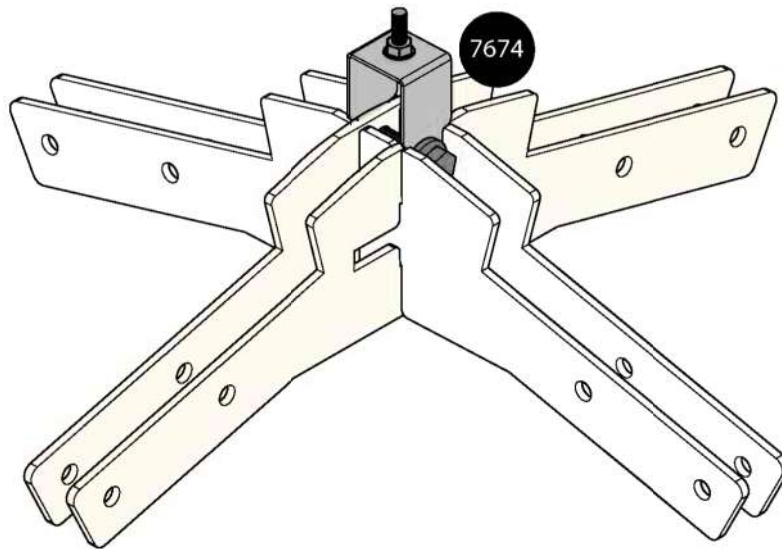
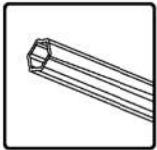
7674 ..... 1



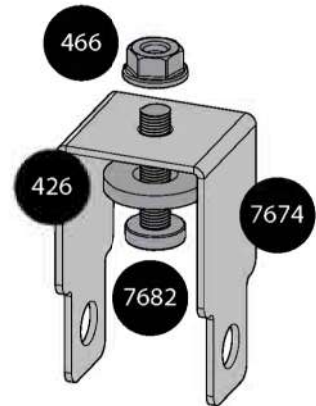
1



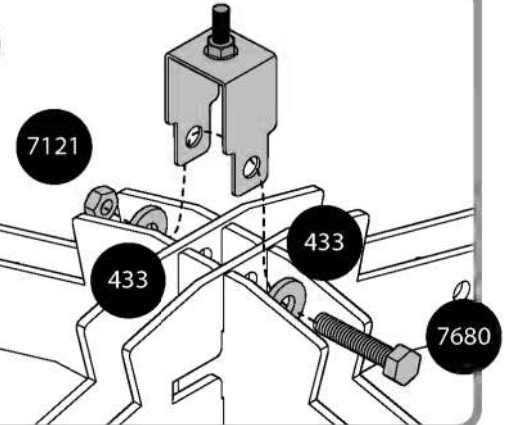
13mm



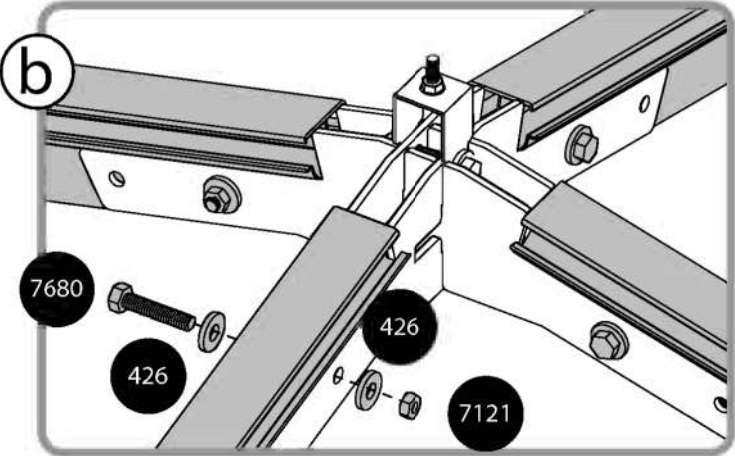
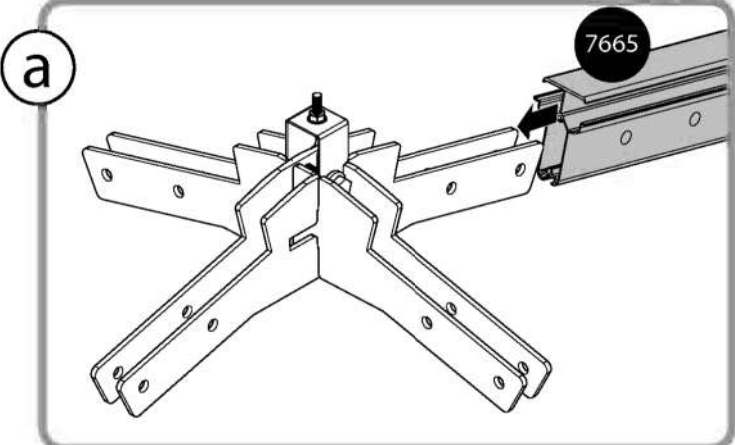
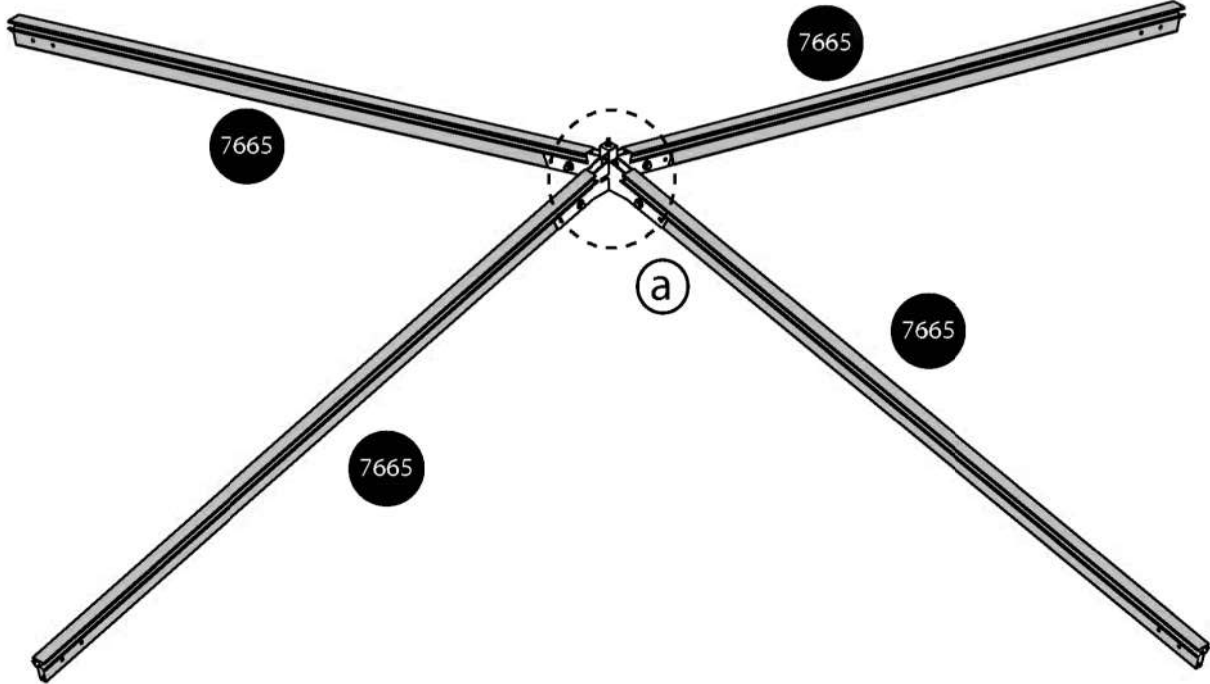
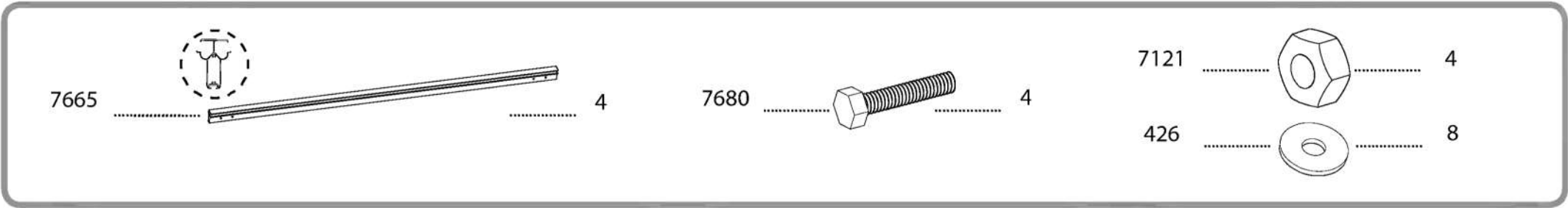
a



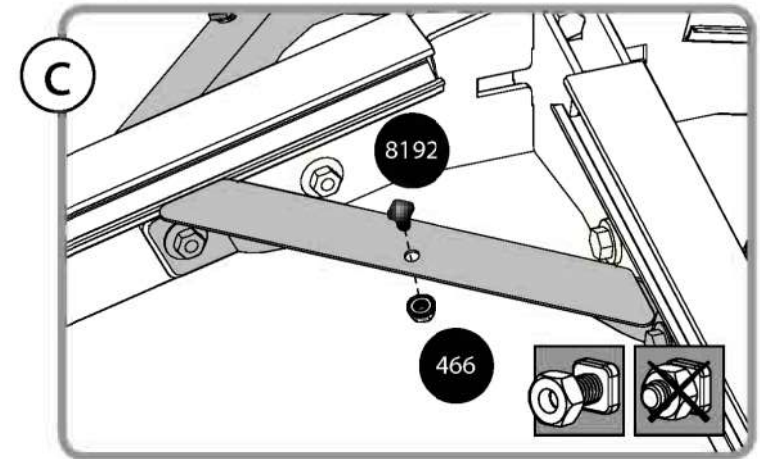
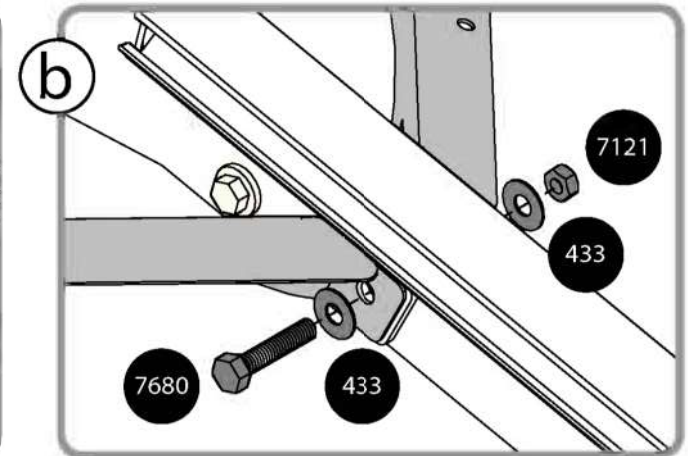
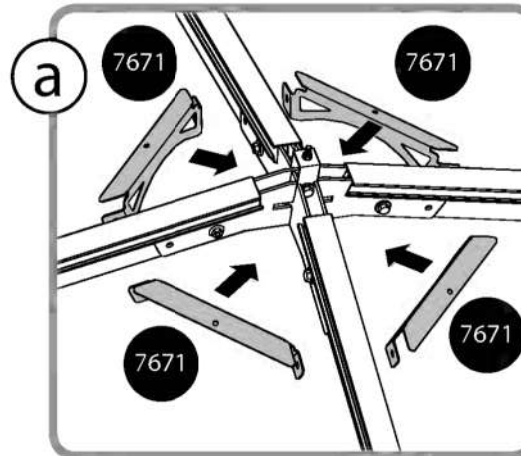
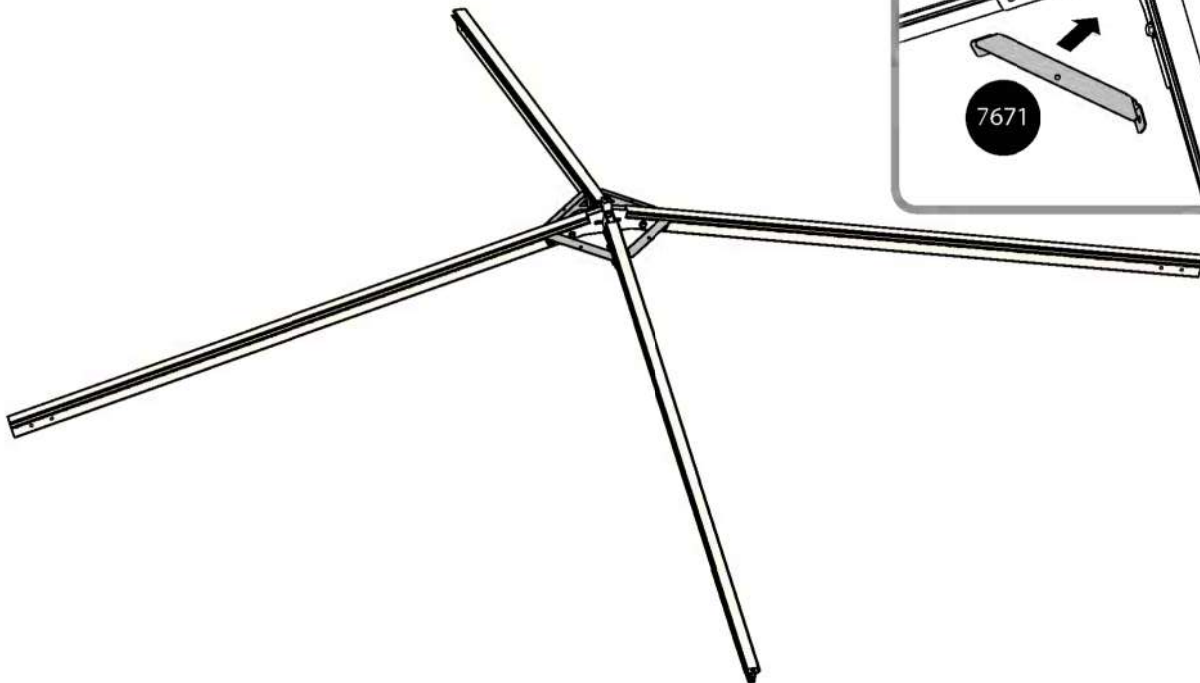
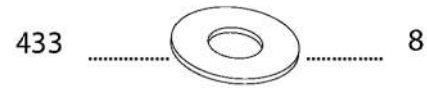
b



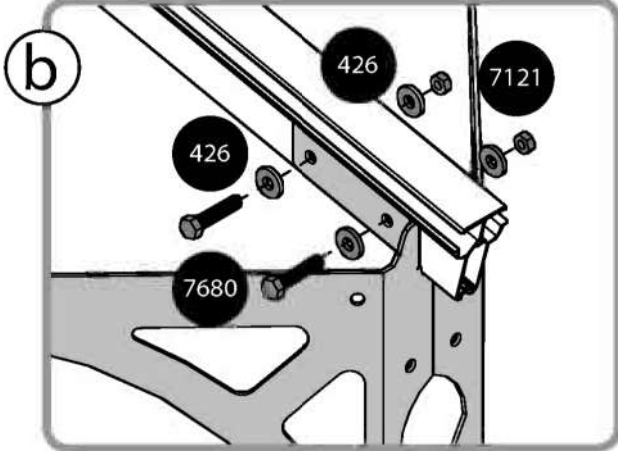
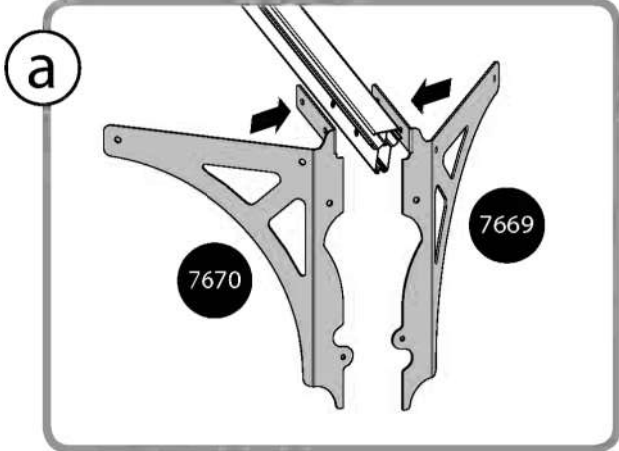
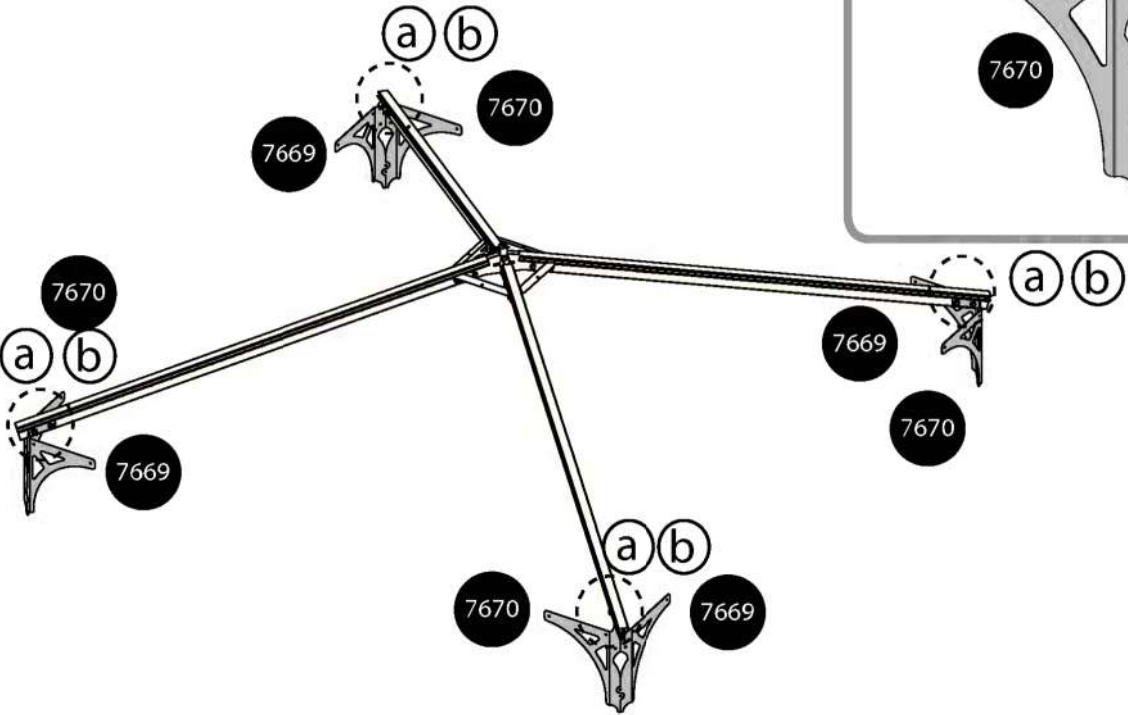
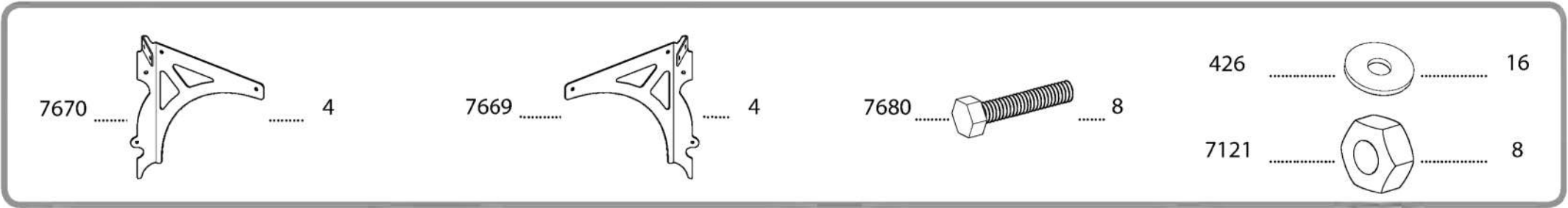
3



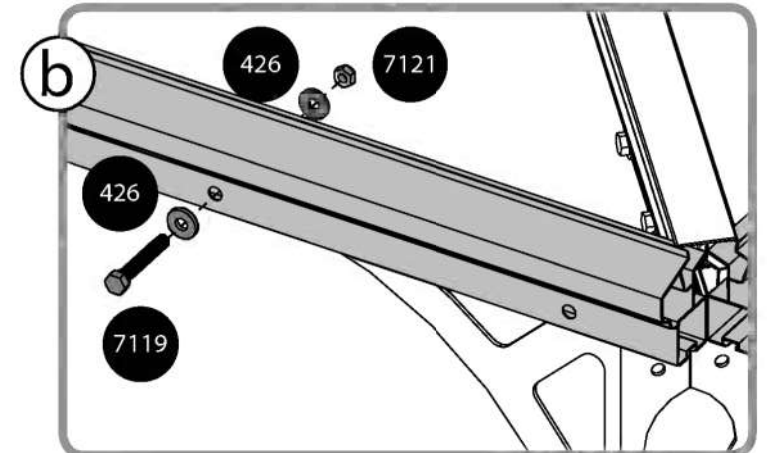
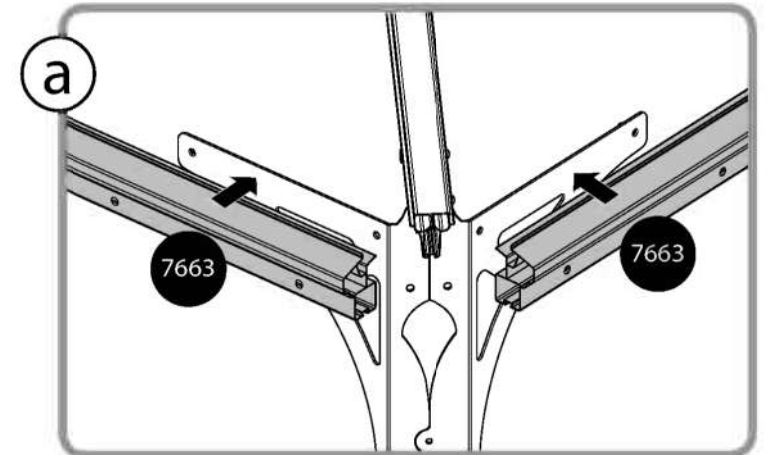
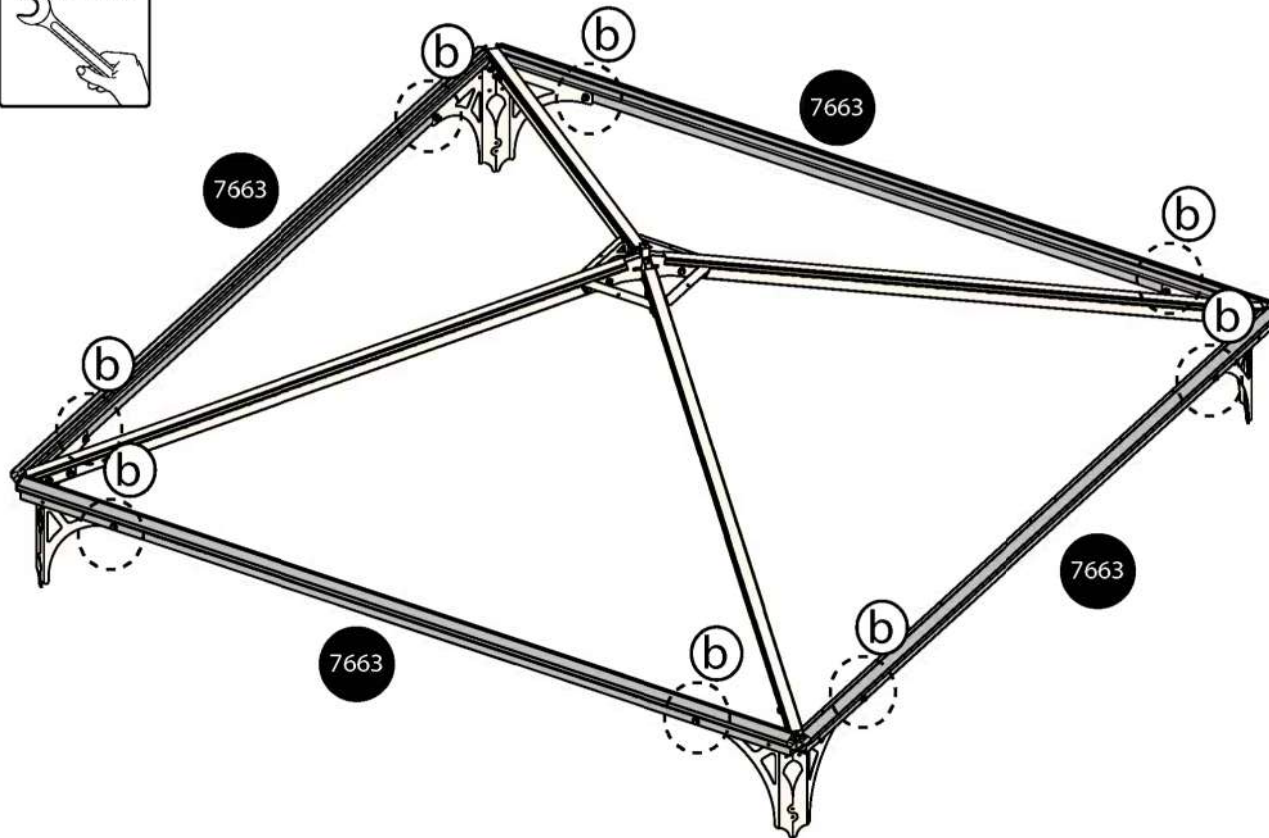
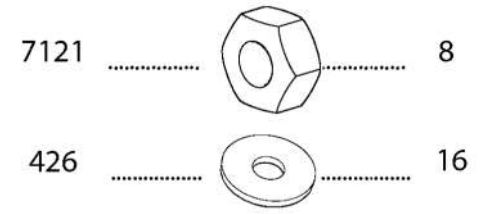
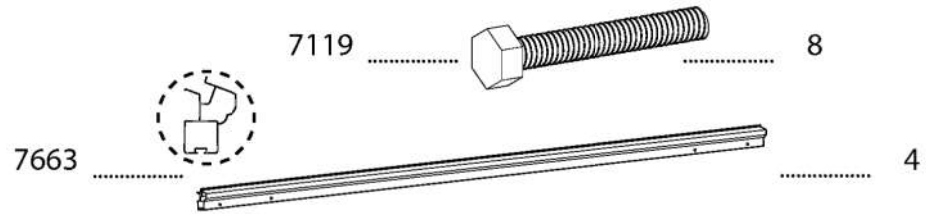




5




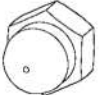
6




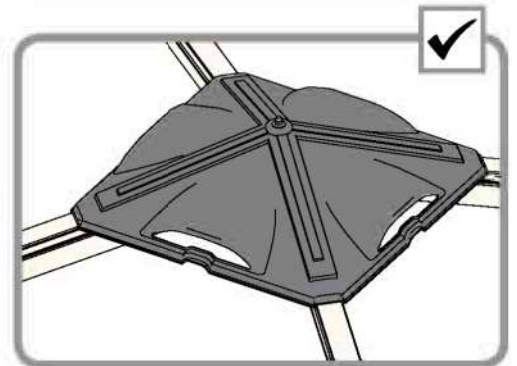
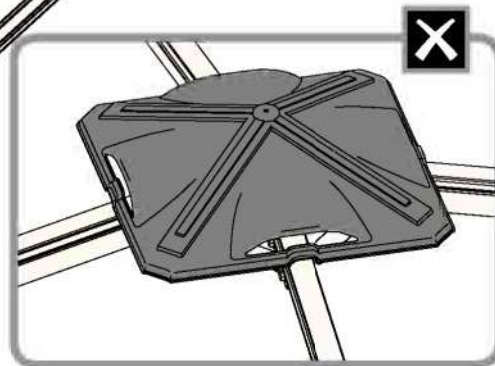
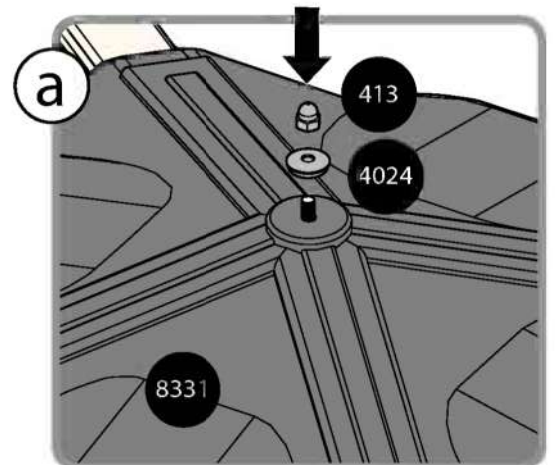
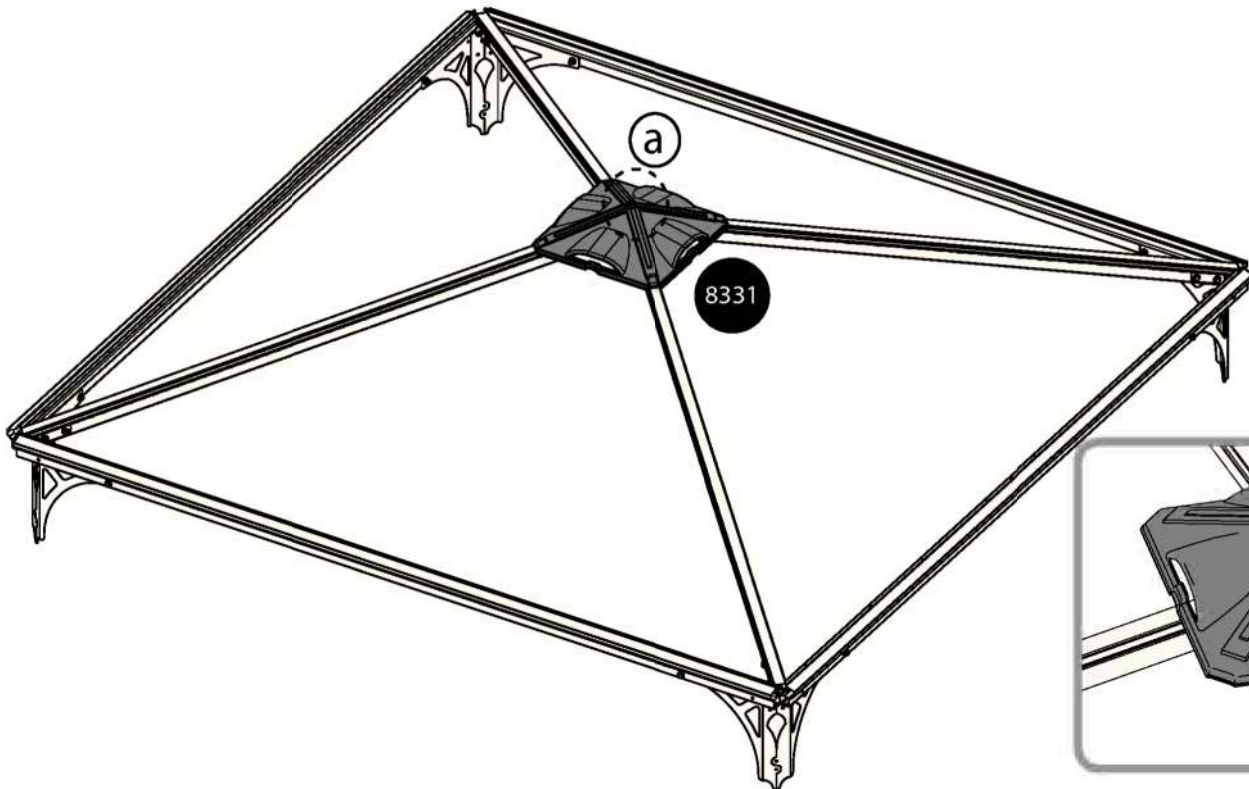
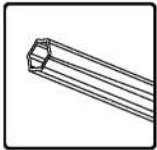


7

4024 .....  ..... 1

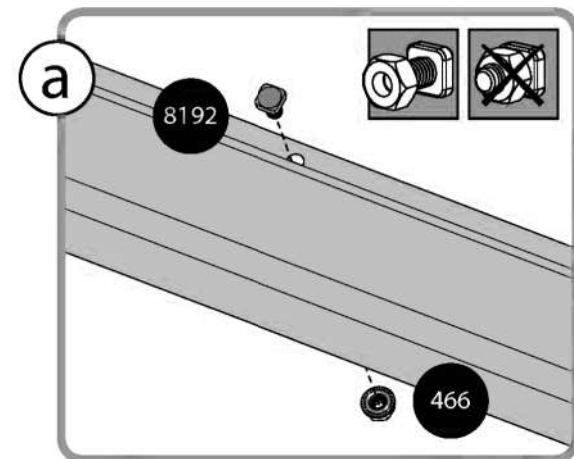
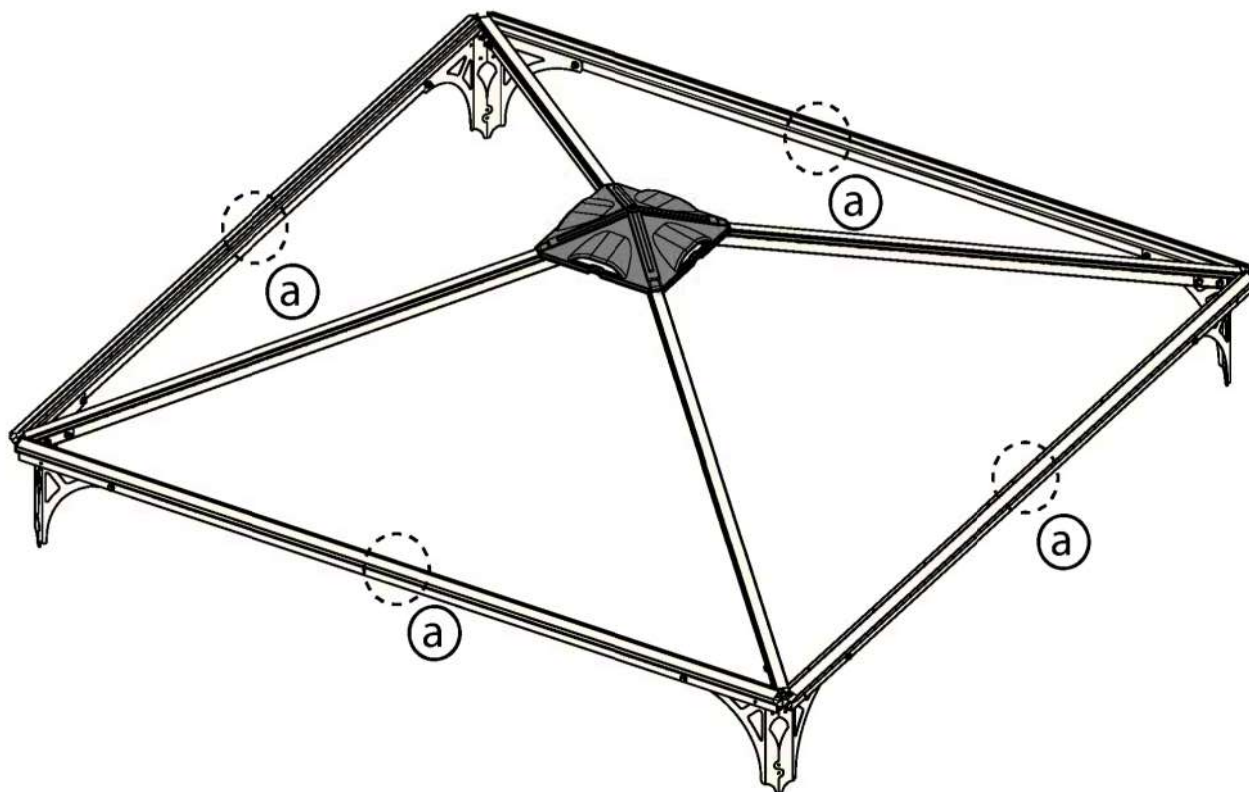
413 .....  ..... 1

8331 .....  ..... 1



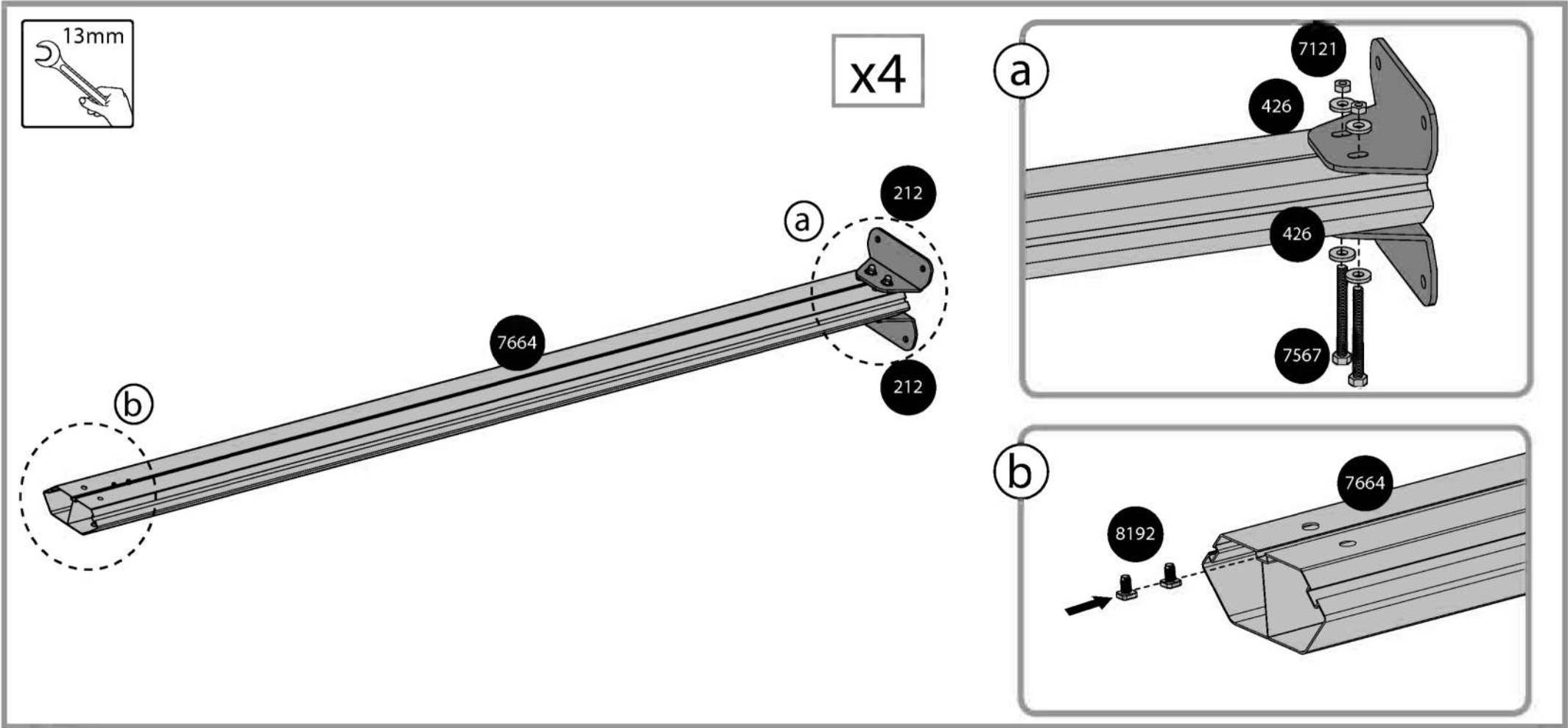
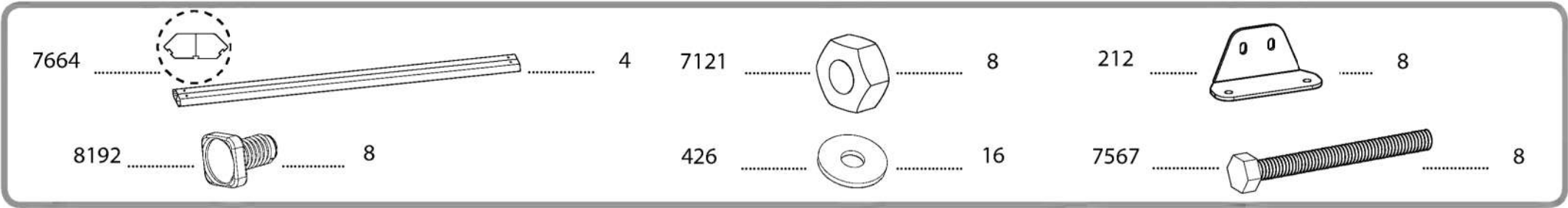
466 .....  ..... 4


8192 .....  ..... 4



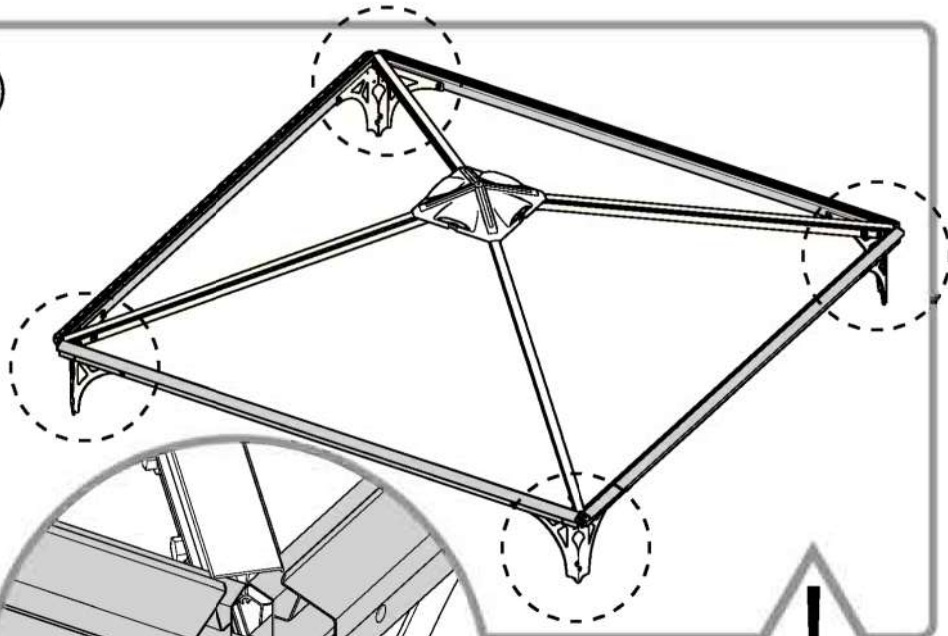


9

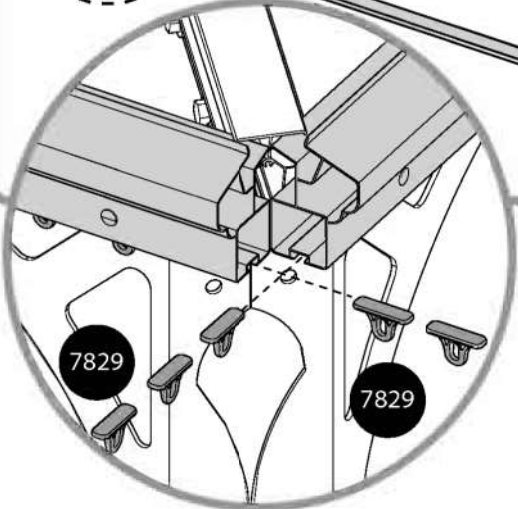


7829 .....  ..... 65

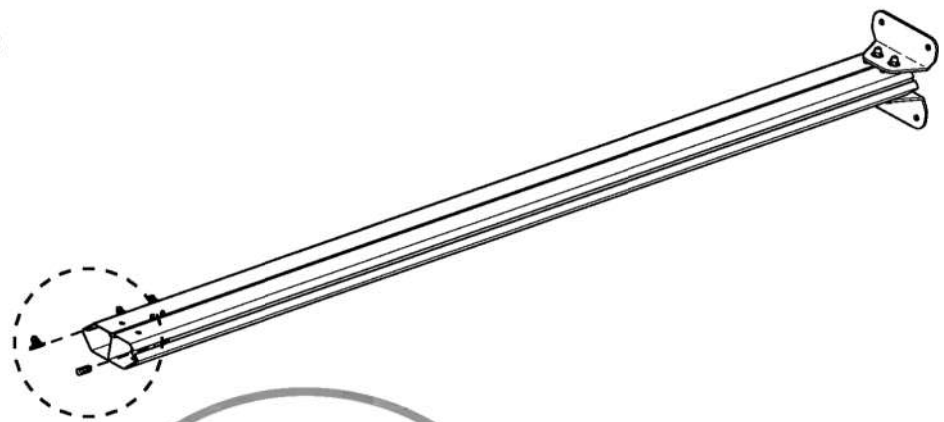
a



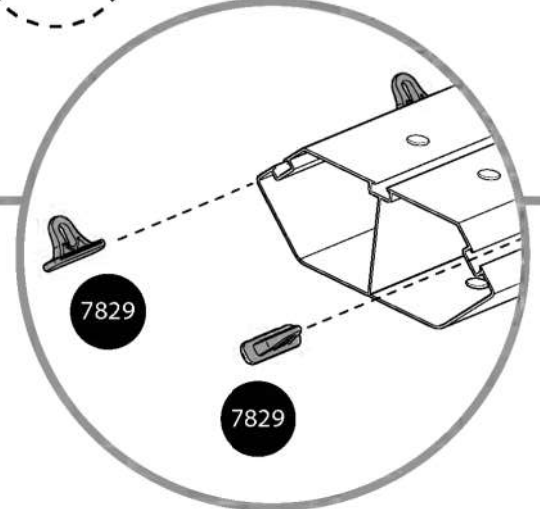
Option



b

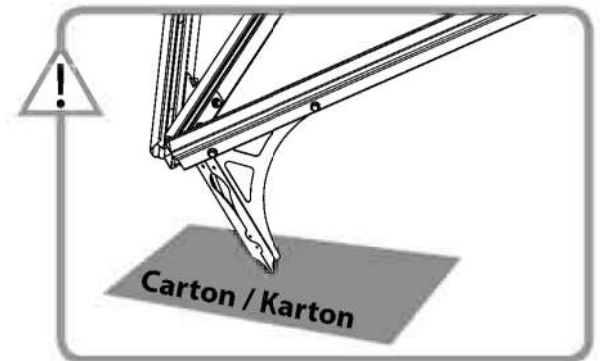
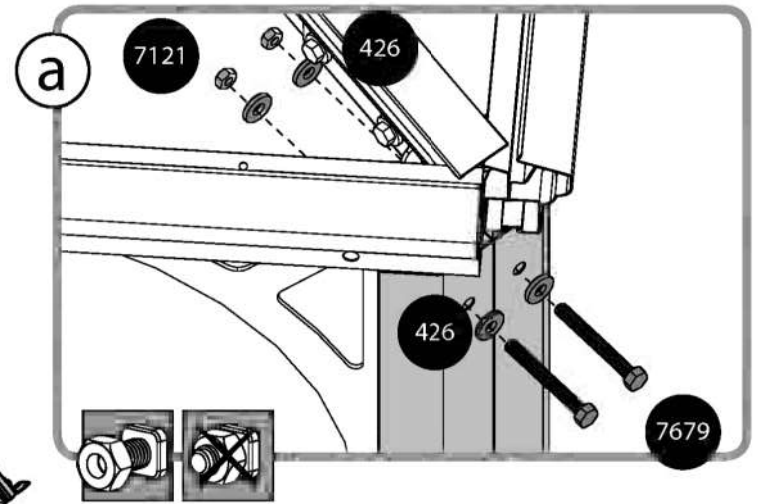
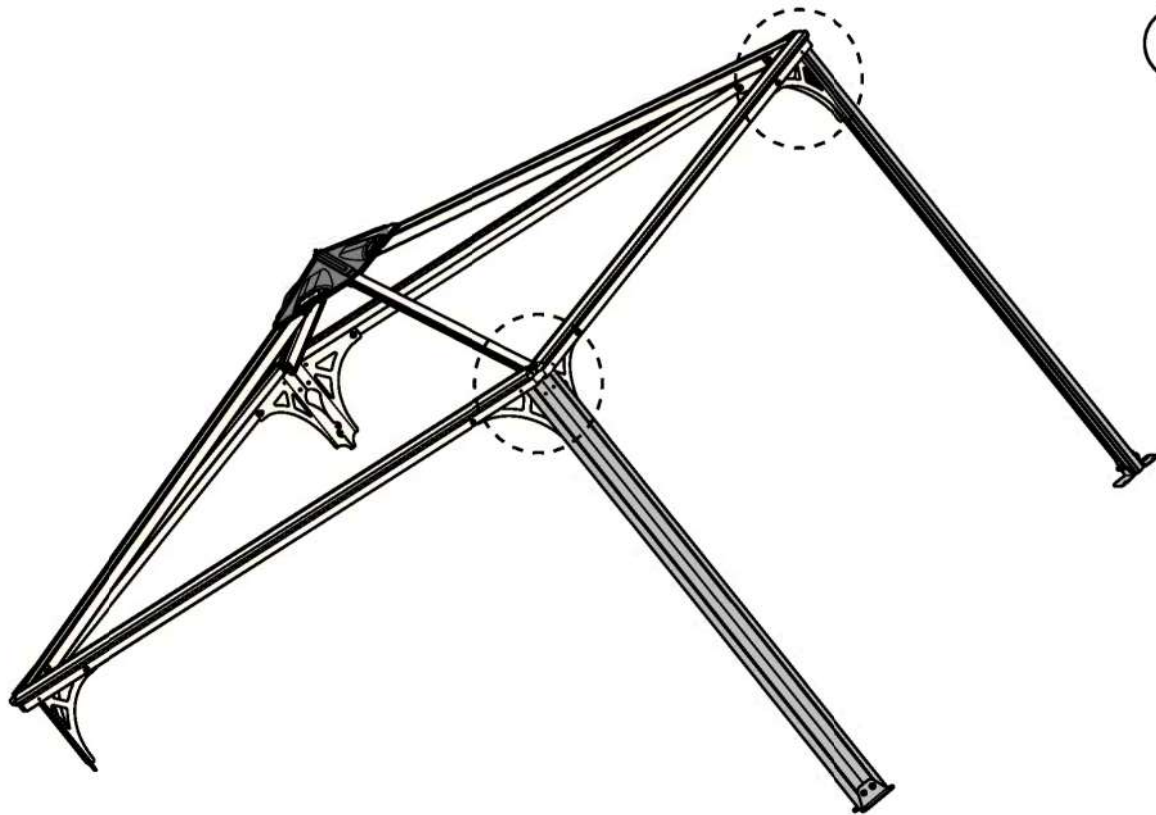


Option

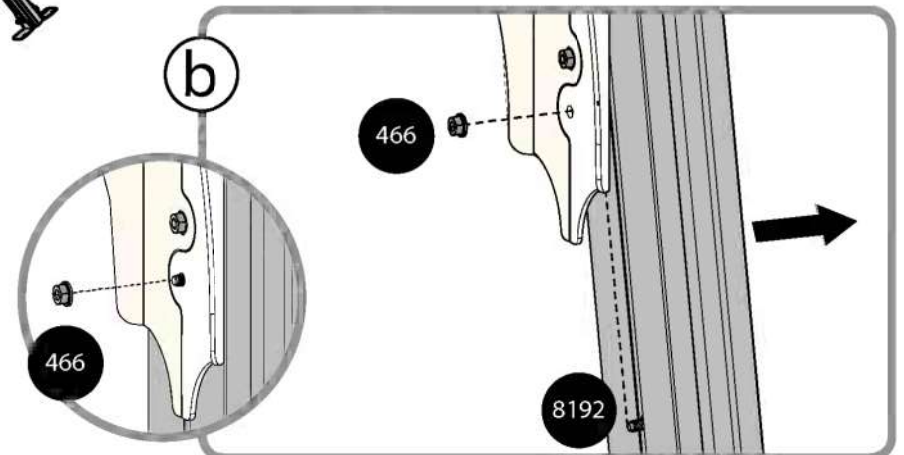
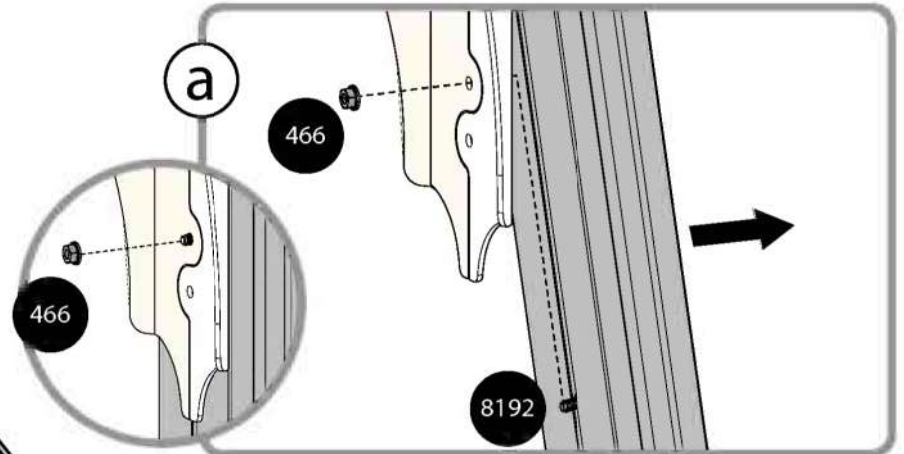
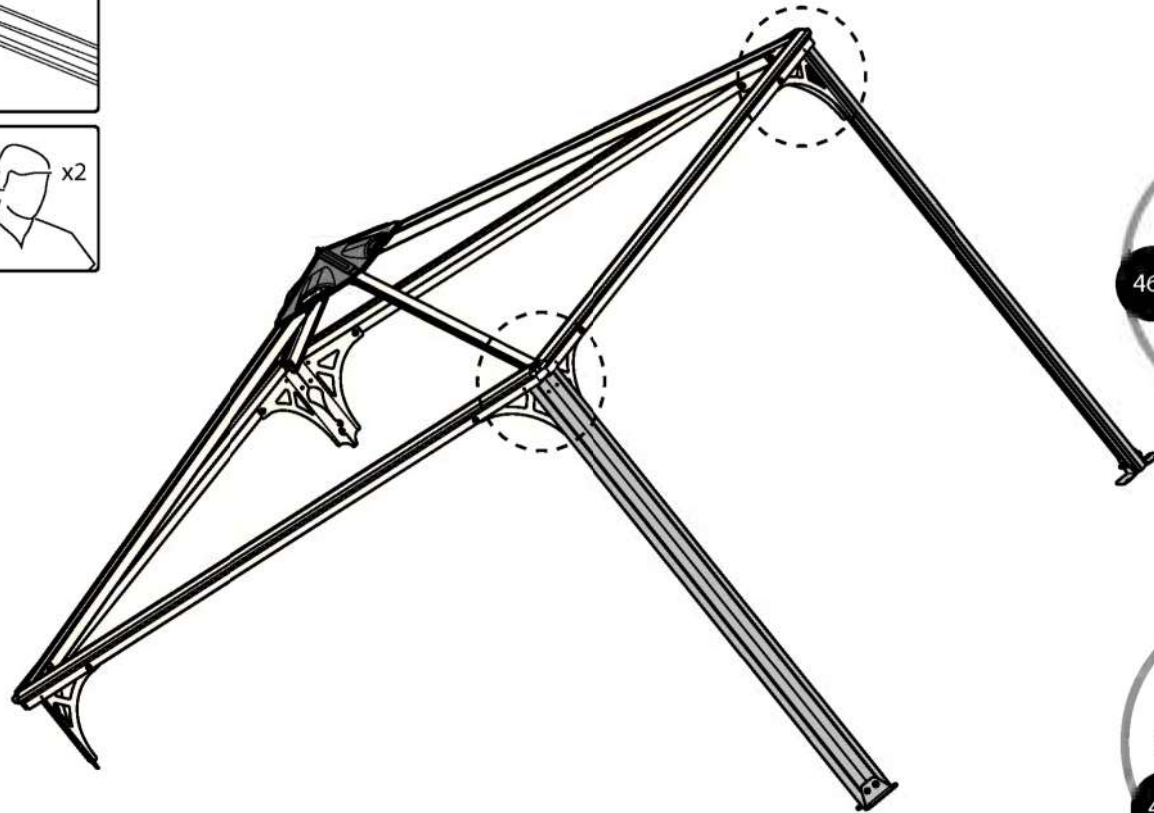
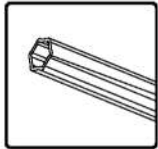


11 **i**

- 7679 ..... 4      7121 ..... 4      426 ..... 8



466 .....  ..... 4



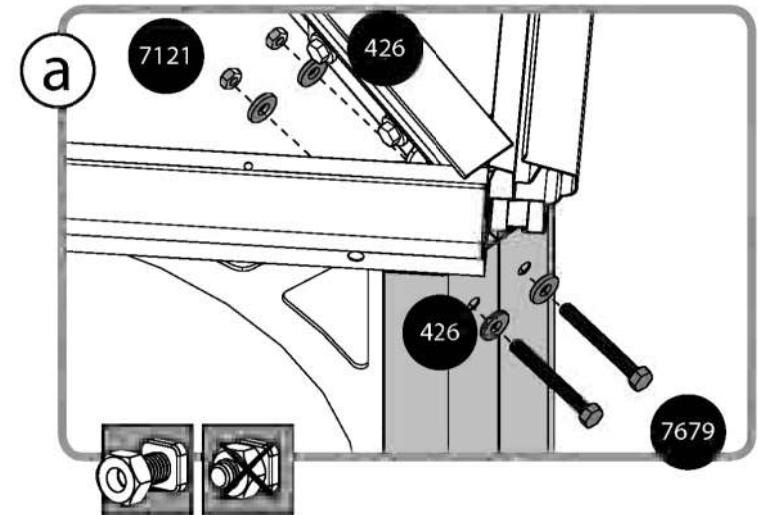
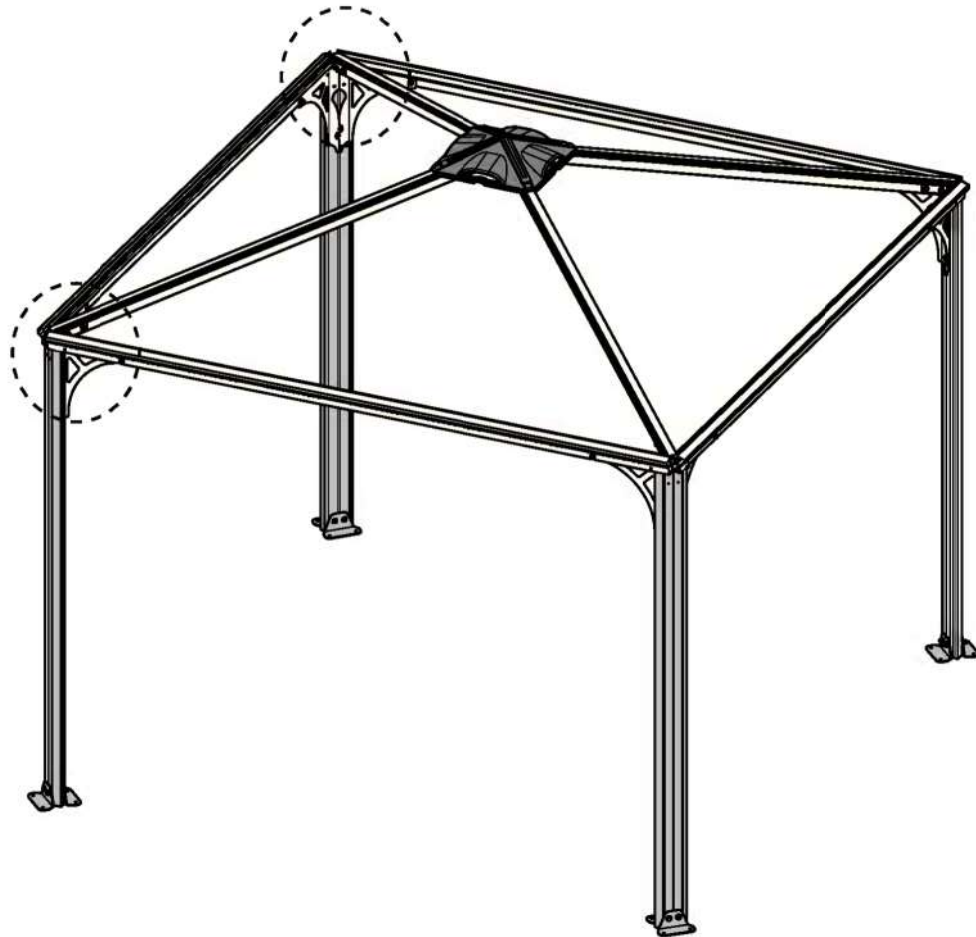
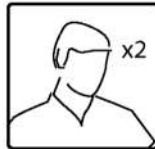
7679 ..... 4



7121 ..... 4

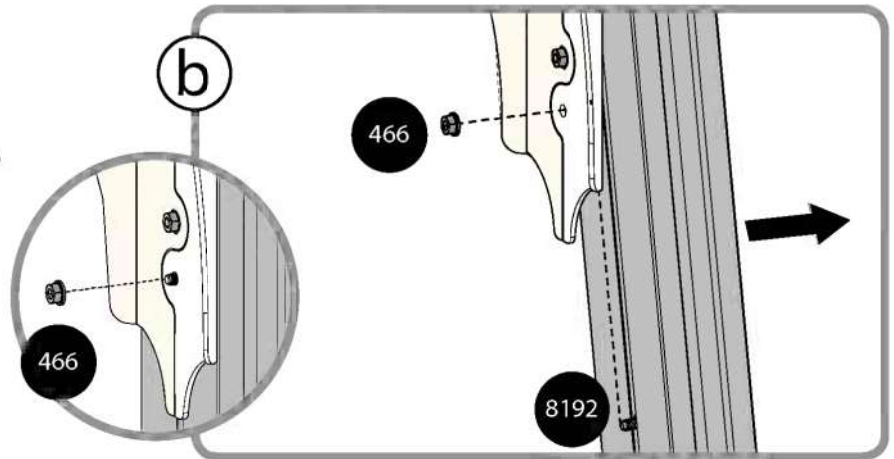
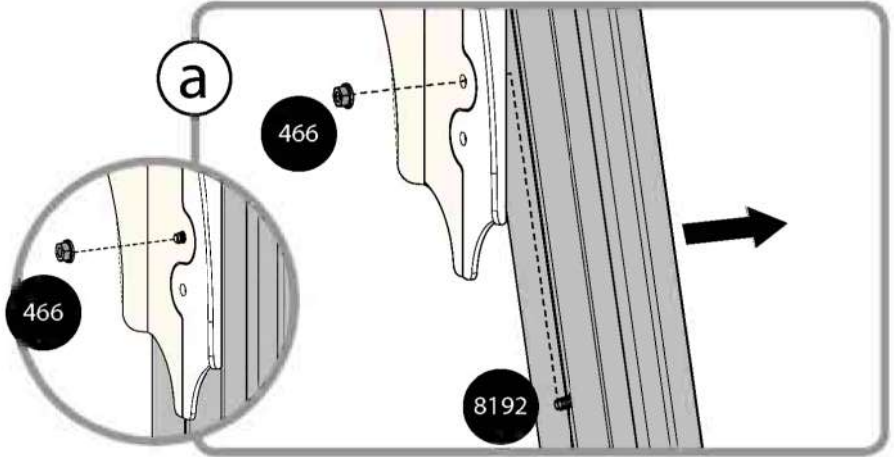
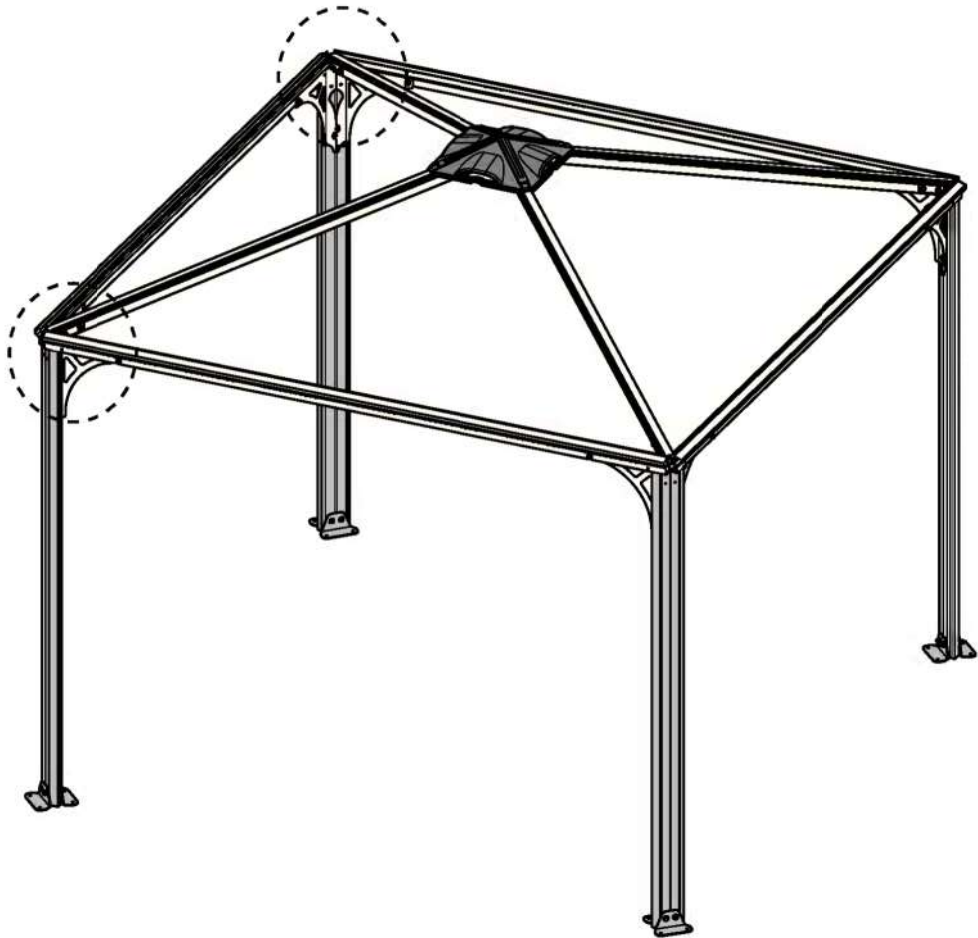
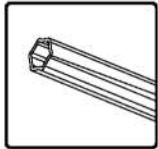


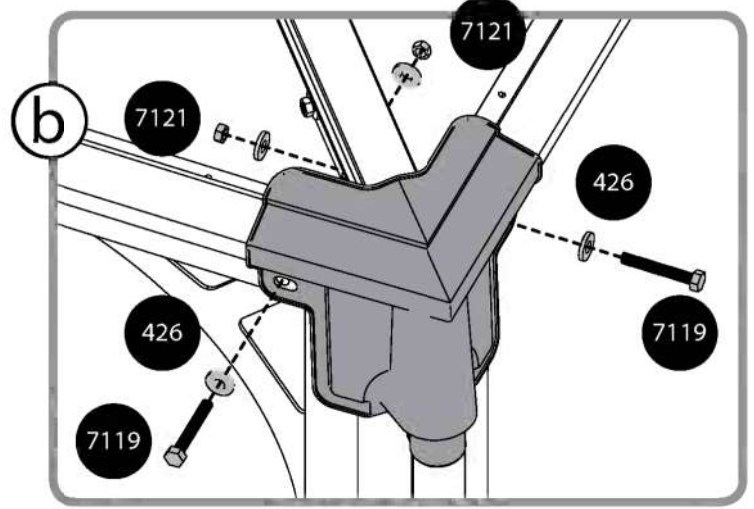
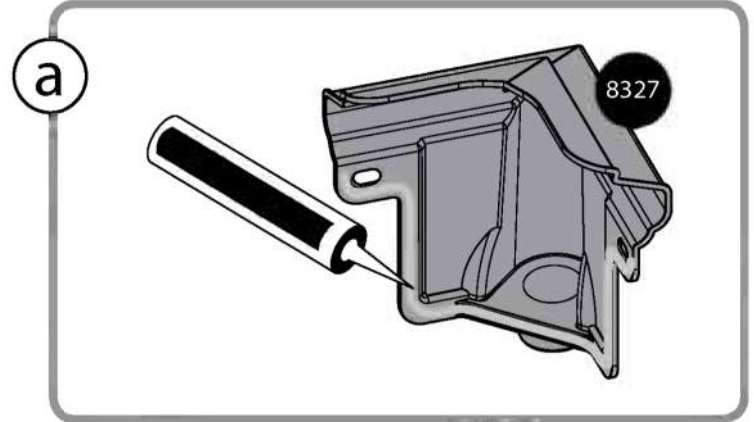
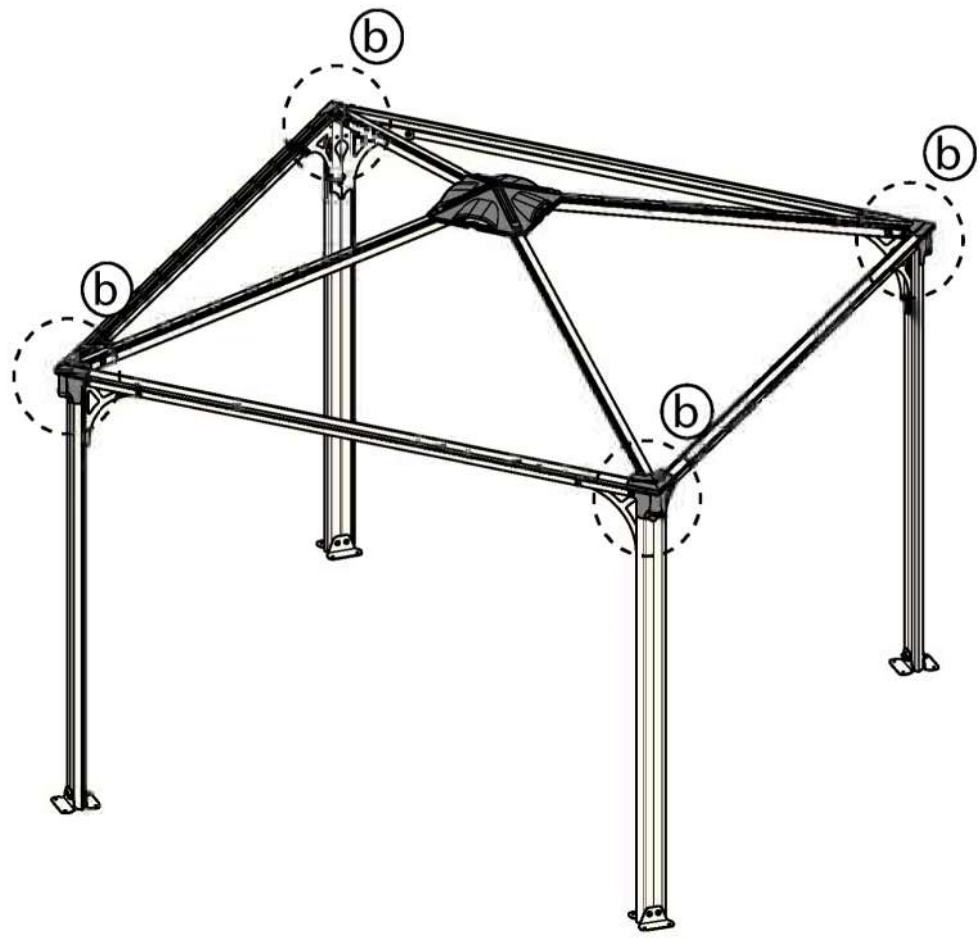
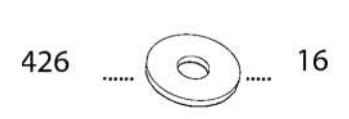
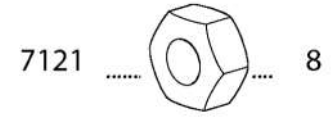
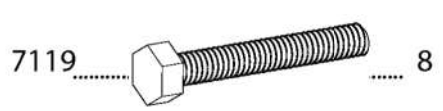
426 ..... 8





466 .....  ..... 4





7675

4

7677

4

8293

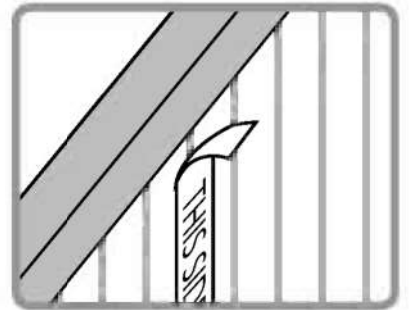
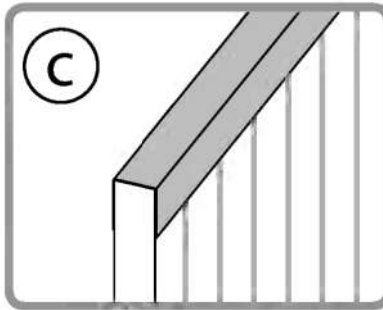
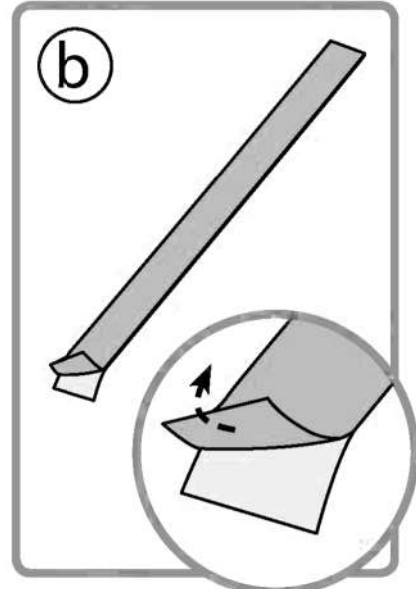
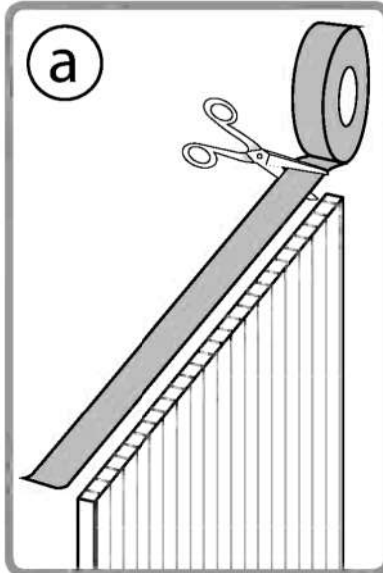
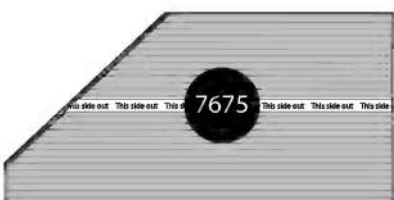
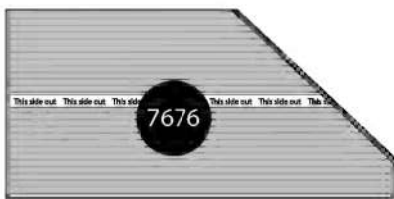
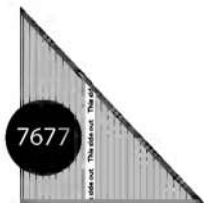
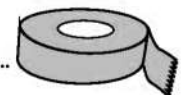
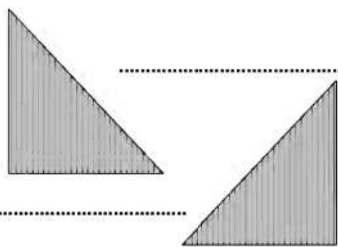
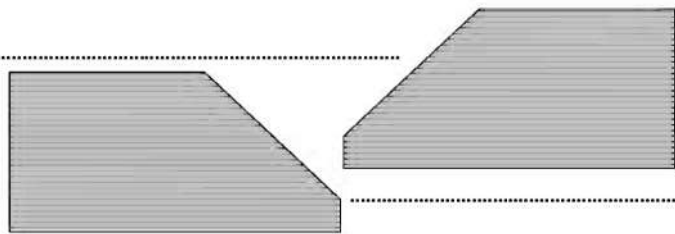
1

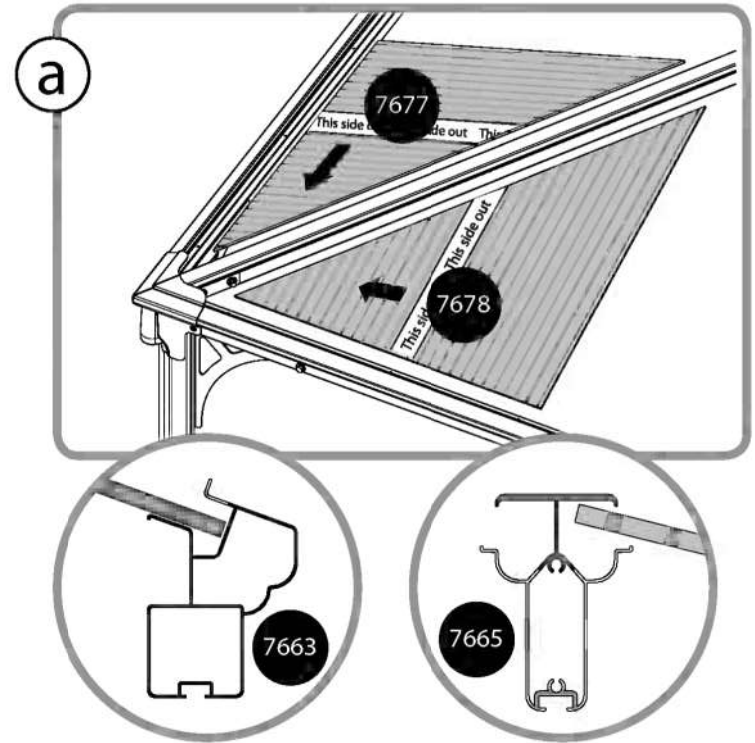
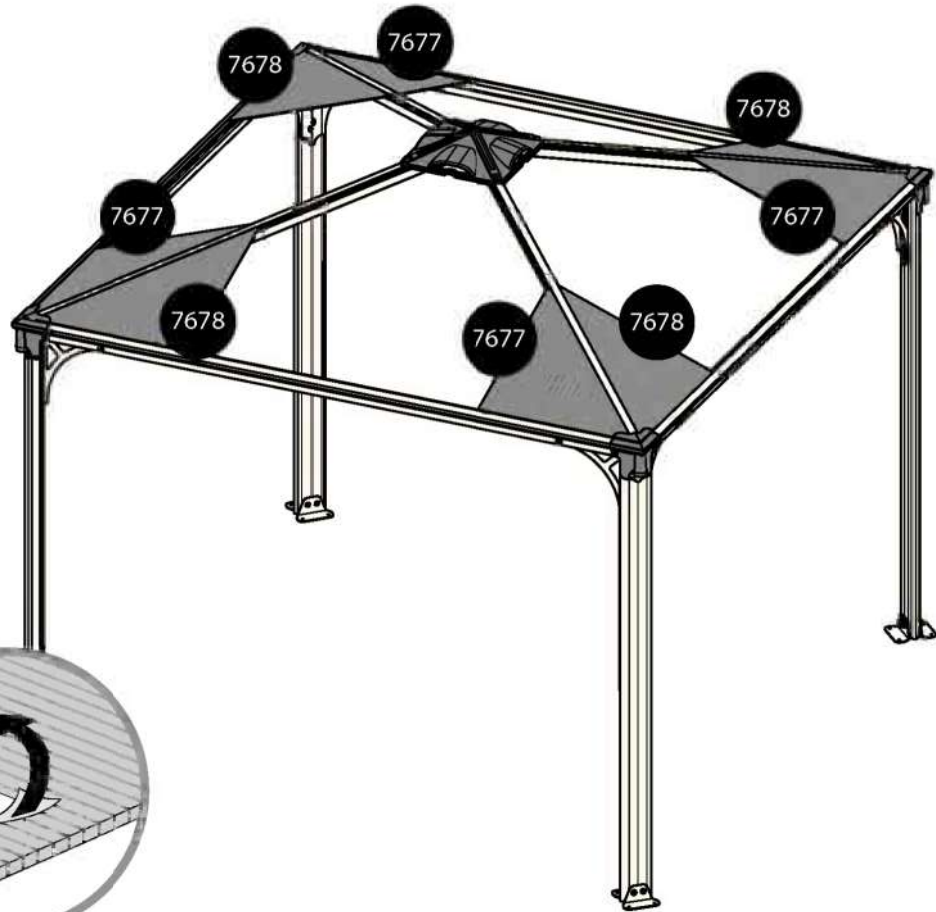
7676

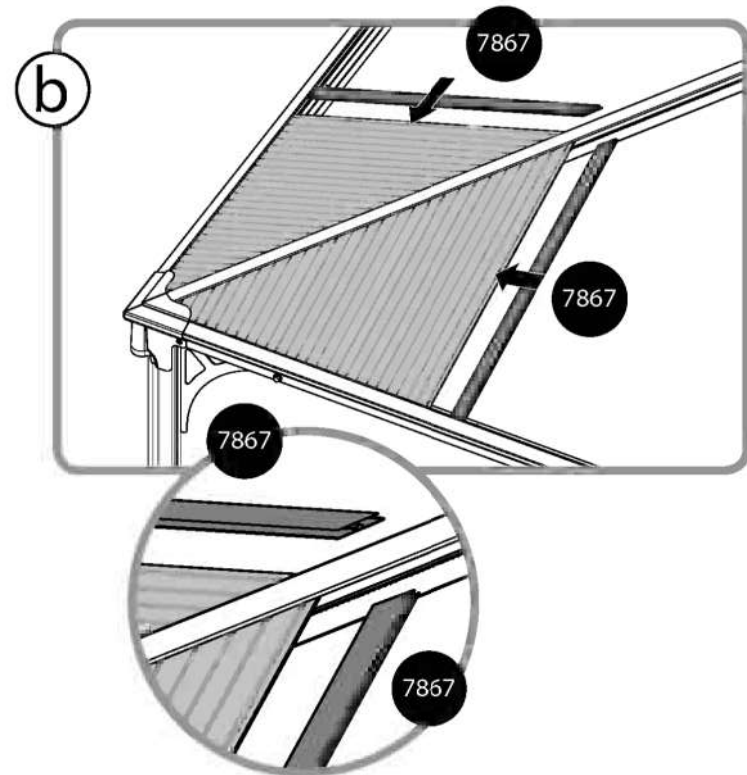
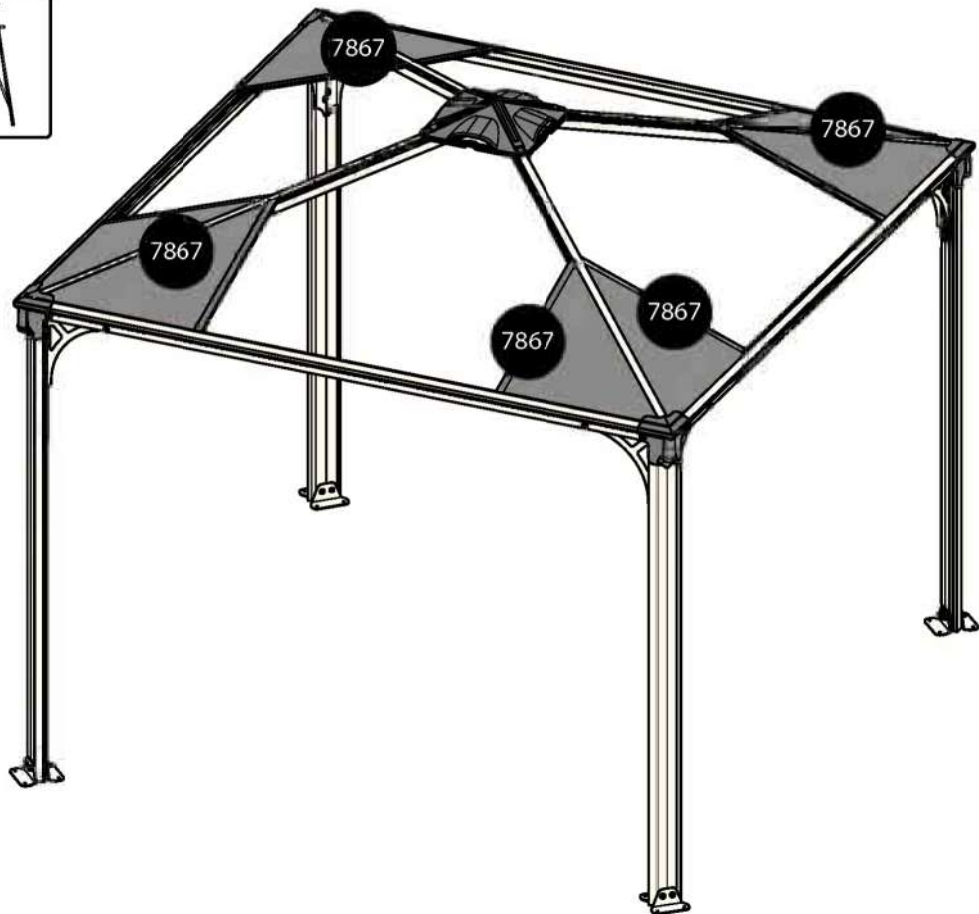
4

7678

4



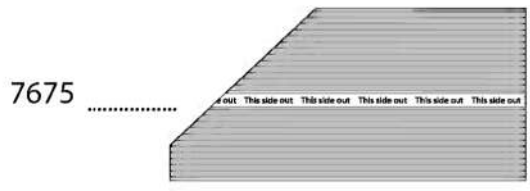




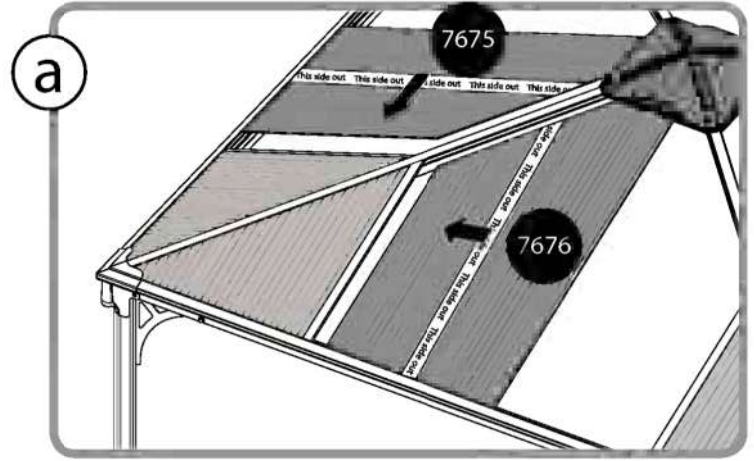
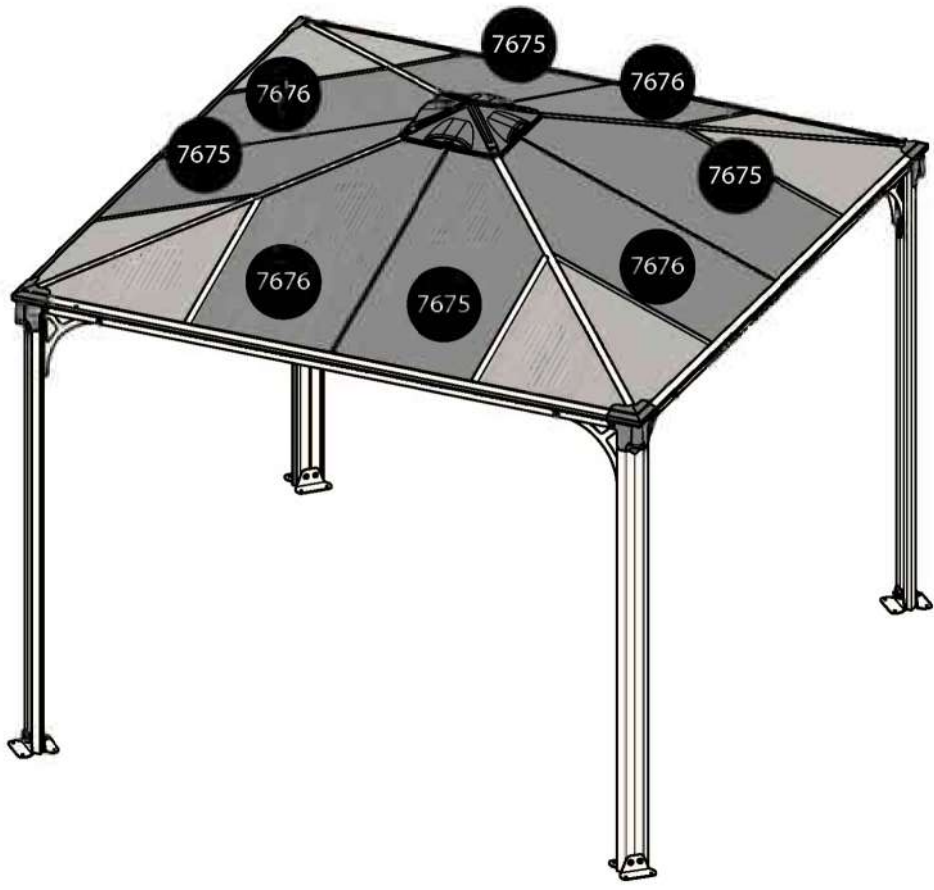


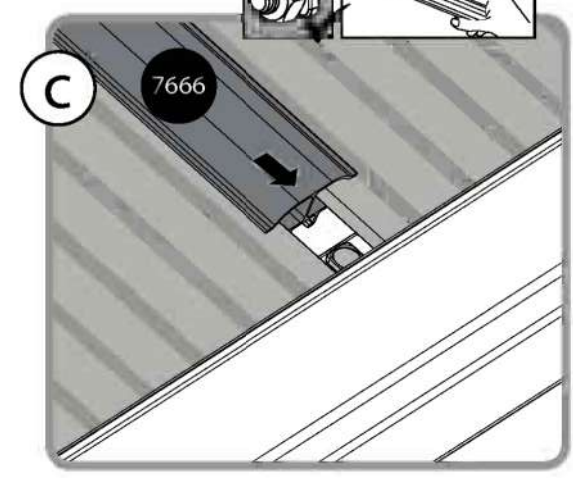
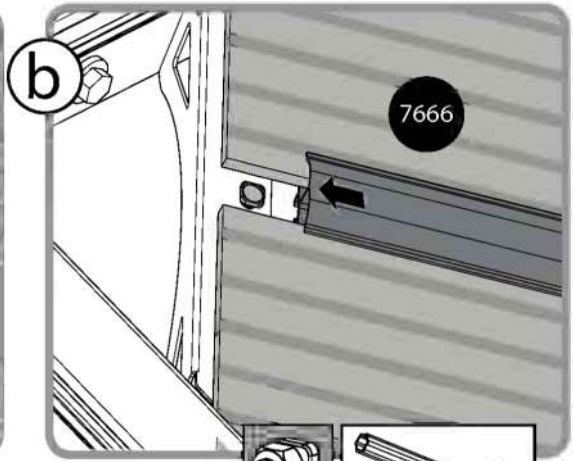
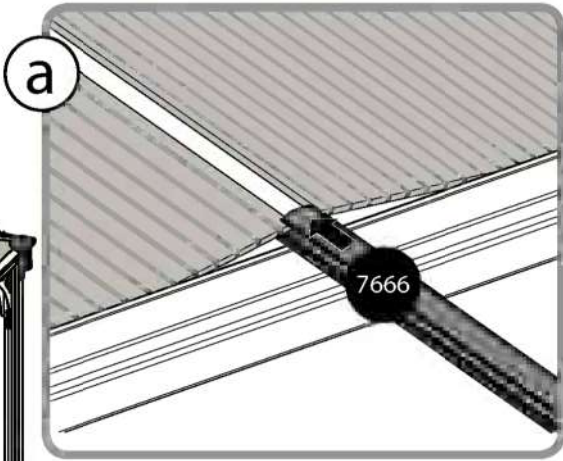
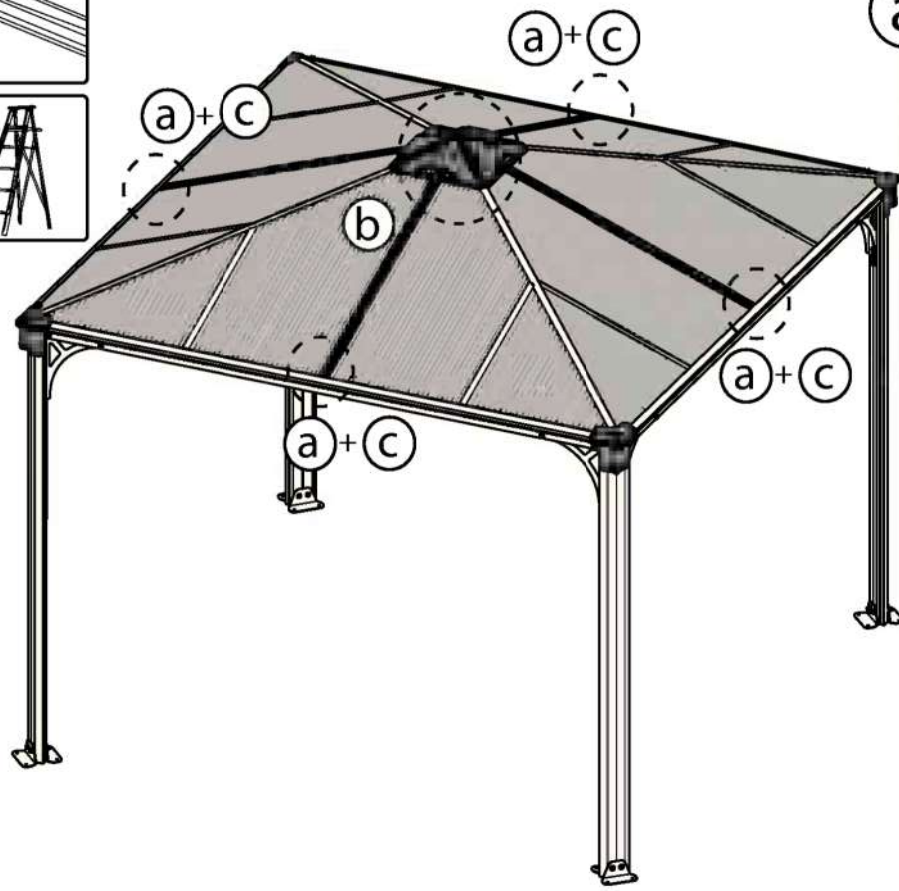
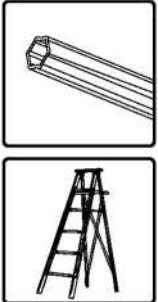


4





4

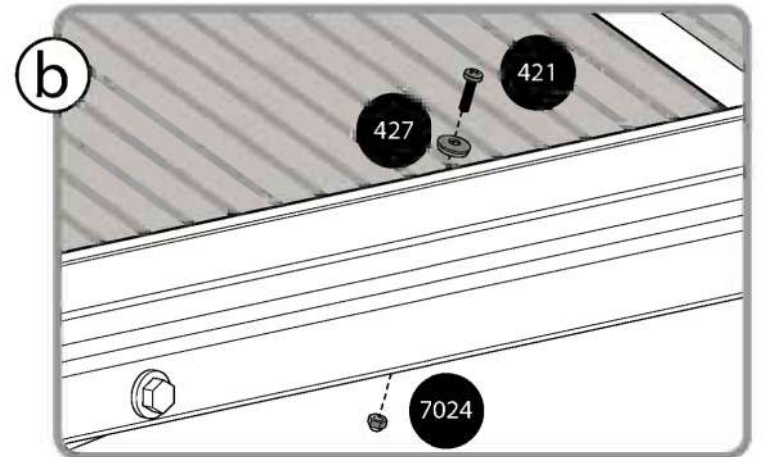
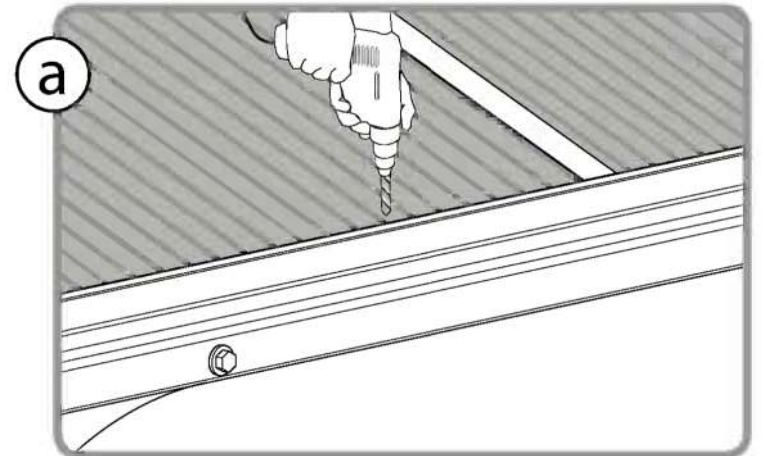
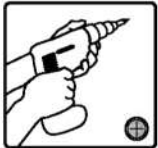
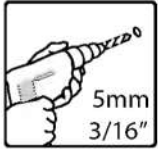




427 .....  ..... 32

421 .....  ..... 32

7024 .....  ..... 32



4000 ..... 16



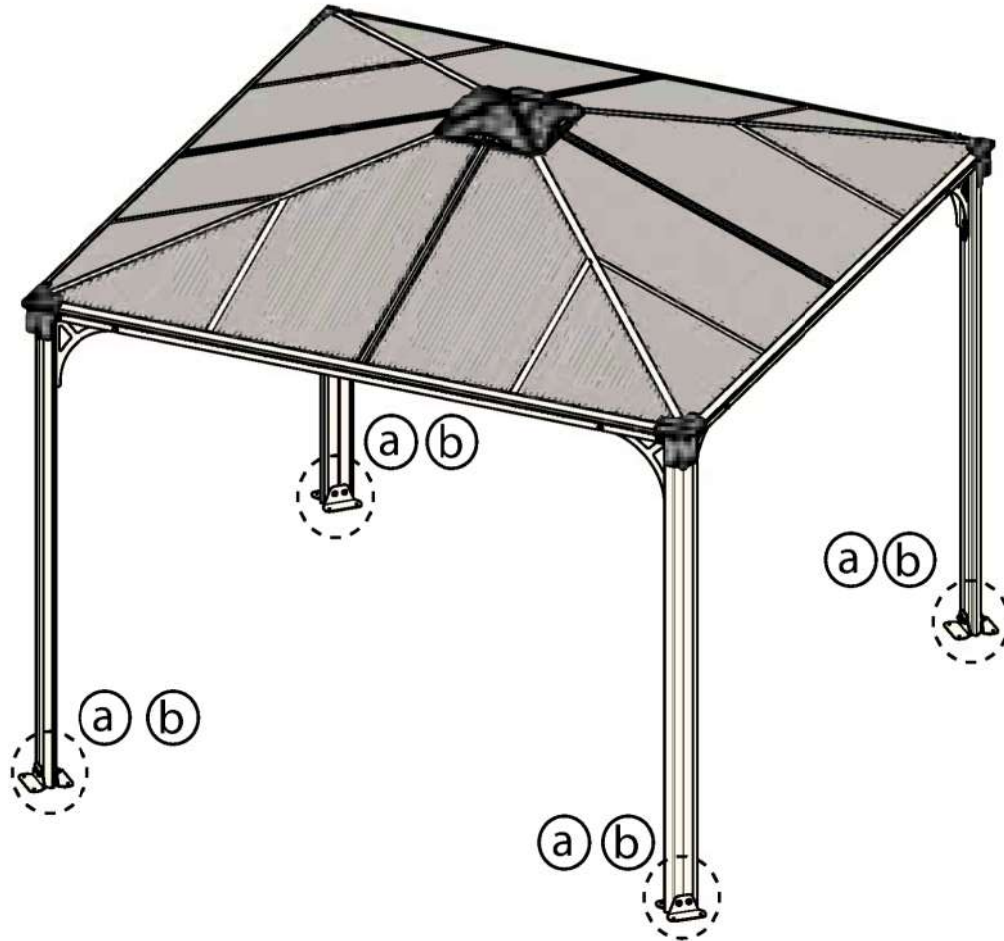
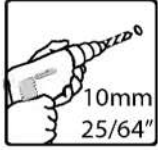
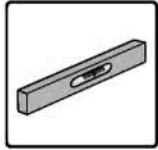
4010 ..... 16



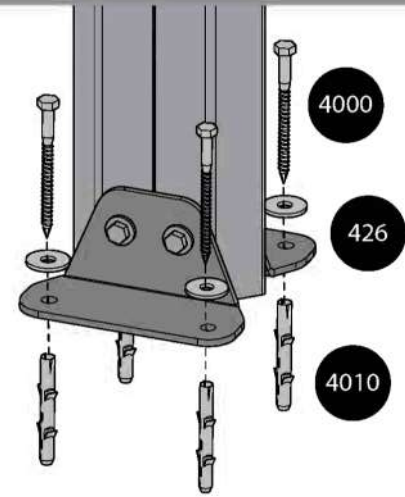
426 ..... 16



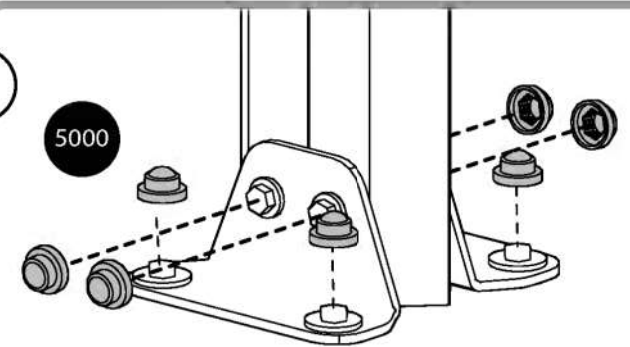
5000 ..... 32



**a**



**b**





5000 .....  ..... 64      5001 .....  ..... 16

