



the
canopyshop

0845 2417182

sales@thecanopyshop.co.uk

www.thecanopyshop.co.uk

Pinnacle Solar Grey Pitched Roof Canopy

The Pinnacle Solar Grey canopy is a freestanding style with a semi-translucent polycarbonate covered pitched roof. The rust resistant, grey powdercoated framework is manufactured from aluminium and galvanised steel. The Pinnacle Solar Grey protects your car from snow, rain, harmful UV rays or leaves shedding and provides an elegant shelter.

- 2 persons' assembly - no high skills are needed
- No unique tools are needed - requires screwdriver, wrenches, drillers and only one ladder
- Ready to assemble - pre-drilled profiles, pre-cut panels, all screws included
- Requires solid surface - no foundations fixing needed
- No roof climbing is needed
- Step-by-step assembly instructions included.



Gutters Included

Ready to assemble - pre-drilled profiles, pre-cut panels, all screws included. No heavy parts - safe & easy frame assembly.



Sliding Roof Panel System

No glazing connectors are needed. No Roof climbing is needed - safe & easy panels sliding from lower roof end.



Anchoring Kit Included

Requires only solid surface, no foundation fixing needed

- Colour: Grey frame with Solar Grey 4mm thick Polycarbonate, semi translucent covering
- Maximum External Dimensions: 338 W x 501 D x 278 H cm
- Internal Dimensions: 300 W x 501 D x 233 H cm
- Poles 80mm x 80mm width, 20 cm height
- Covering Area: 17m² (184 sq ft)
- Snow Loading: Up to 125 kg / m²
- Wind Resistant: Up to 150 kph
- Packaging Dimensions: Box1: 224 x 36 x 17cm, Box2: 224 x 36 x 17cm, Box3:185 x 72 x 5cm
- Product Weight: Box 1: 62 kg, Box 2: 64 kg, Box 3: 22 kg



the
canopyshop

0845 2417182

sales@thecanopyshop.co.uk

www.thecanopyshop.co.uk

Pinnacle Solar Grey Pitched Roof Canopy

Sturdy and Durable - High Performance

- Rust resistant powder coated frame made of aluminium and galvanized steel
- Virtually unbreakable polycarbonate covering
- 100% UV protected - does not yellow - Solar Gray polycarbonate panels
- Strong poles - 80x80 mm
- Designed laser cut support arms
- Re-assembly option - can be relocated.

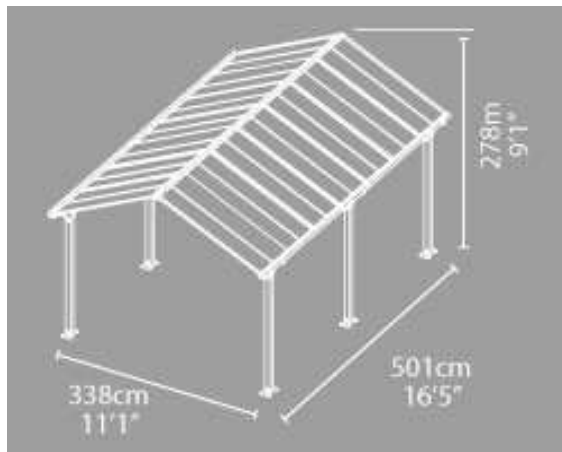
Excellent protection

- Wide and high entrance for easy & safe access
- Gutters included - directs rain water sideward and allows water collection
- Protects your vehicles from snow, rain, hail, harmful UV rays and shedding leaves.

Low Maintenance

- No rust, rot, moss or fungus
- Easy cleaning with hose or rain

External Dimensions



Internal Dimensions

